

PSD-S ME B-M - Mounting material



2700164

<https://www.phoenixcontact.com/us/products/2700164>

Please be informed that the data shown in this PDF document is generated from our online catalog. Please find the complete data in the user documentation. Our general terms of use for downloads are valid.



Foot for tube Ø 25 mm, aluminium, black

Commercial data

Item number	2700164
Packing unit	1 pc
Minimum order quantity	1 pc
Sales key	DR07
Product key	DRL117
Catalog page	Page 521 (C-6-2019)
GTIN	4046356491532
Weight per piece (including packing)	109.4 g
Weight per piece (excluding packing)	109.4 g
Customs tariff number	76169990
Country of origin	DE

PSD-S ME B-M - Mounting material



2700164

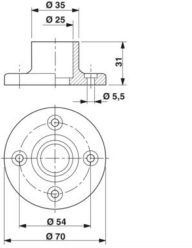
<https://www.phoenixcontact.com/us/products/2700164>

Technical data

Product properties

Product type	Assembly element
Scope of delivery	1 x terminal block screw (Allen screw) 1 x seal
	1 x terminal block screw (Allen screw) 1 x seal

Dimensions

Dimensional drawing	
Height	31 mm
Diameter	70 mm

Material specifications

Color	black
Material	Anodized aluminum

Environmental and real-life conditions

Ambient conditions

Ambient temperature (operation)	-30 °C ... 60 °C
---------------------------------	------------------

Mounting

Mounting type	Tube mounting
	Base mounting
Assembly instructions	Seal is supplied with
Mounting position	any

PSD-S ME B-M - Mounting material



2700164

<https://www.phoenixcontact.com/us/products/2700164>

Classifications

ECLASS

ECLASS-12.0	27371235
ECLASS-13.0	27371235
ECLASS-11.0	27371235

ETIM

ETIM 9.0	EC001154
----------	----------

UNSPSC

UNSPSC 21.0	43221500
-------------	----------

PSD-S ME B-M - Mounting material



2700164

<https://www.phoenixcontact.com/us/products/2700164>

Environmental product compliance

China RoHS	Environmentally friendly use period: unlimited = EFUP-e
	No hazardous substances above threshold values

Phoenix Contact 2024 © - all rights reserved
<https://www.phoenixcontact.com>

Phoenix Contact USA
586 Fulling Mill Road
Middletown, PA 17057, United States
(+717) 944-1300
info@phoenixcon.com