

PSD-S ME BT 110 - Mounting material



2700156

<https://www.phoenixcontact.com/us/products/2700156>

Please be informed that the data shown in this PDF document is generated from our online catalog. Please find the complete data in the user documentation. Our general terms of use for downloads are valid.

Foot with integrated tube, 110 mm high, black



Commercial data

Item number	2700156
Packing unit	1 pc
Minimum order quantity	1 pc
Sales key	DR07
Product key	DRL117
Catalog page	Page 521 (C-6-2019)
GTIN	4046356491471
Weight per piece (including packing)	46.7 g
Weight per piece (excluding packing)	46.7 g
Customs tariff number	39269097
Country of origin	DE

PSD-S ME BT 110 - Mounting material



2700156

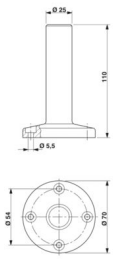
<https://www.phoenixcontact.com/us/products/2700156>

Technical data

Product properties

Product type	Assembly element
Scope of delivery	1 x seal
	1 x seal

Dimensions

Dimensional drawing	
Height	110 mm
Diameter	70 mm

Material specifications

Color	black
Material	PA-GF

Environmental and real-life conditions

Ambient conditions

Ambient temperature (operation)	-30 °C ... 60 °C
---------------------------------	------------------

Mounting

Mounting type	Tube mounting
	Base mounting
Assembly instructions	Seal is supplied with
Mounting position	any

PSD-S ME BT 110 - Mounting material



2700156

<https://www.phoenixcontact.com/us/products/2700156>

Classifications

ECLASS

ECLASS-13.0	27371234
ECLASS-12.0	27371234
ECLASS-11.0	27371234

ETIM

ETIM 9.0	EC001259
----------	----------

UNSPSC

UNSPSC 21.0	46171600
-------------	----------

PSD-S ME BT 110 - Mounting material



2700156

<https://www.phoenixcontact.com/us/products/2700156>

Environmental product compliance

China RoHS	Environmentally friendly use period: unlimited = EFUP-e No hazardous substances above threshold values
------------	---

Phoenix Contact 2024 © - all rights reserved
<https://www.phoenixcontact.com>

Phoenix Contact USA
586 Fulling Mill Road
Middletown, PA 17057, United States
(+717) 944-1300
info@phoenixcon.com