

PSD-S ME OB/MB - Mounting material



2700155

<https://www.phoenixcontact.com/us/products/2700155>

Please be informed that the data shown in this PDF document is generated from our online catalog. Please find the complete data in the user documentation. Our general terms of use for downloads are valid.

Outlet box with magnetic base for base mounting, black



Your advantages

- Magnetic base for tool-free mounting on metal surfaces
- With concealed cable routing

Commercial data

Item number	2700155
Packing unit	1 pc
Minimum order quantity	1 pc
Sales key	DR07
Product key	DRL117
Catalog page	Page 521 (C-6-2019)
GTIN	4046356491464
Weight per piece (including packing)	290 g
Weight per piece (excluding packing)	290 g
Customs tariff number	39269097
Country of origin	DE

PSD-S ME OB/MB - Mounting material



2700155

<https://www.phoenixcontact.com/us/products/2700155>

Technical data

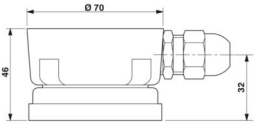
Product properties

Product type	Assembly element
Scope of delivery	2 x plastic screw 1 x cable threaded joint 1 x nut 1 x seal
	2 x plastic screw 1 x cable threaded joint 1 x nut 1 x seal

Connection data

Connection method	Screw connection
-------------------	------------------

Dimensions

Dimensional drawing	
Height	45.5 mm
Diameter	70 mm

Material specifications

Color	black
Material	PA-GF

Environmental and real-life conditions

Ambient conditions

Ambient temperature (operation)	-30 °C ... 60 °C
---------------------------------	------------------

Mounting

Mounting type	Base mounting
	Tube mounting
Assembly instructions	Magnetic holder
Mounting position	any

PSD-S ME OB/MB - Mounting material



2700155

<https://www.phoenixcontact.com/us/products/2700155>

Classifications

ECLASS

ECLASS-11.0	27371232
ECLASS-13.0	27371232
ECLASS-12.0	27371232

ETIM

ETIM 9.0	EC001152
----------	----------

UNSPSC

UNSPSC 21.0	46171600
-------------	----------

PSD-S ME OB/MB - Mounting material



2700155

<https://www.phoenixcontact.com/us/products/2700155>

Environmental product compliance

China RoHS	Environmentally friendly use period: unlimited = EFUP-e No hazardous substances above threshold values
------------	---

Phoenix Contact 2024 © - all rights reserved
<https://www.phoenixcontact.com>

Phoenix Contact USA
586 Fulling Mill Road
Middletown, PA 17057, United States
(+717) 944-1300
info@phoenixcon.com