

PSD-S ME FB - Mounting material



2700151

<https://www.phoenixcontact.com/us/products/2700151>

Please be informed that the data shown in this PDF document is generated from our online catalog. Please find the complete data in the user documentation. Our general terms of use for downloads are valid.

Foldaway base, pitch 7.5°, black



Commercial data

Item number	2700151
Packing unit	1 pc
Minimum order quantity	1 pc
Sales key	DR07
Product key	DRL117
Catalog page	Page 521 (C-6-2019)
GTIN	4046356491426
Weight per piece (including packing)	189.7 g
Weight per piece (excluding packing)	165 g
Customs tariff number	39269097
Country of origin	DE

PSD-S ME FB - Mounting material

2700151

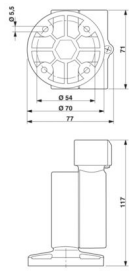
<https://www.phoenixcontact.com/us/products/2700151>

Technical data

Product properties

Product type	Assembly element
Scope of delivery	3 x with screws (hexagonal socket-head) 1 x seal 1 x foam material ring
	3 x with screws (hexagonal socket-head) 1 x seal 1 x foam material ring

Dimensions

Dimensional drawing	
Width	77 mm
Height	117 mm
Diameter	70 mm

Material specifications

Color	black
Material	PA-GF

Environmental and real-life conditions

Ambient conditions

Degree of protection	IP65
Ambient temperature (operation)	-30 °C ... 60 °C

Mounting

Mounting type	Tube mounting
	Base mounting
Assembly instructions	Seal is supplied with
Mounting position	any

PSD-S ME FB - Mounting material



2700151

<https://www.phoenixcontact.com/us/products/2700151>

Classifications

ECLASS

ECLASS-12.0	27371235
ECLASS-13.0	27371235
ECLASS-11.0	27371235

ETIM

ETIM 9.0	EC001154
----------	----------

UNSPSC

UNSPSC 21.0	43221500
-------------	----------

PSD-S ME FB - Mounting material



2700151

<https://www.phoenixcontact.com/us/products/2700151>

Environmental product compliance

China RoHS	Environmentally friendly use period: unlimited = EFUP-e No hazardous substances above threshold values
------------	---

Phoenix Contact 2024 © - all rights reserved
<https://www.phoenixcontact.com>

Phoenix Contact USA
586 Fulling Mill Road
Middletown, PA 17057, United States
(+717) 944-1300
info@phoenixcon.com