

PSD-S ME BR-BM/HCR - Mounting bracket

2700149

<https://www.phoenixcontact.com/us/products/2700149>

Please be informed that the data shown in this PDF document is generated from our online catalog. Please find the complete data in the user documentation. Our general terms of use for downloads are valid.



Angle for base mounting, concealed cable routing, black

Commercial data

Item number	2700149
Packing unit	1 pc
Minimum order quantity	1 pc
Sales key	DR07
Product key	DRL117
Catalog page	Page 521 (C-6-2019)
GTIN	4046356491402
Weight per piece (including packing)	77.8 g
Weight per piece (excluding packing)	77.8 g
Customs tariff number	39269097
Country of origin	DE

PSD-S ME BR-BM/HCR - Mounting bracket

2700149

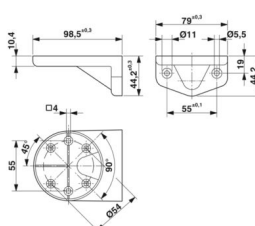
<https://www.phoenixcontact.com/us/products/2700149>

Technical data

Product properties

Product type	Assembly element
Scope of delivery	4 x plastic screw 2 x seal
	4 x plastic screw 2 x seal

Dimensions

Dimensional drawing	
Width	44.2 mm
Height	98.5 mm
Diameter	79 mm

Material specifications

Color	black
Material	ABS-PC

Environmental and real-life conditions

Ambient conditions

Ambient temperature (operation)	-30 °C ... 60 °C
---------------------------------	------------------

Mounting

Mounting type	Base mounting, concealed cable routing
	Tube mounting
Assembly instructions	Seal is supplied with
Mounting position	any

PSD-S ME BR-BM/HCR - Mounting bracket



2700149

<https://www.phoenixcontact.com/us/products/2700149>

Classifications

ECLASS

ECLASS-13.0	27371233
ECLASS-12.0	27371233
ECLASS-11.0	27371233

ETIM

ETIM 9.0	EC001153
----------	----------

UNSPSC

UNSPSC 21.0	46171600
-------------	----------

PSD-S ME BR-BM/HCR - Mounting bracket



2700149

<https://www.phoenixcontact.com/us/products/2700149>

Environmental product compliance

China RoHS	Environmentally friendly use period: unlimited = EFUP-e No hazardous substances above threshold values
------------	---

Phoenix Contact 2024 © - all rights reserved
<https://www.phoenixcontact.com>

Phoenix Contact USA
586 Fulling Mill Road
Middletown, PA 17057, United States
(+717) 944-1300
info@phoenixcon.com