

# PSD-S AS END COVER - End cover

2700148

<https://www.phoenixcontact.com/us/products/2700148>

Please be informed that the data shown in this PDF document is generated from our online catalog. Please find the complete data in the user documentation. Our general terms of use for downloads are valid.

Black end cover (replacement part)



## Commercial data

Item number	2700148
Packing unit	1 pc
Minimum order quantity	1 pc
Sales key	DR07
Product key	DRL11Z
Catalog page	Page 515 (C-6-2019)
GTIN	4046356491396
Weight per piece (including packing)	16.5 g
Weight per piece (excluding packing)	16 g
Customs tariff number	85319000
Country of origin	DE

# PSD-S AS END COVER - End cover

2700148

<https://www.phoenixcontact.com/us/products/2700148>

## Technical data

### Product properties

Product type	End cover
--------------	-----------

### Environmental and real-life conditions

#### Ambient conditions

Ambient temperature (operation)	-30 °C ... 50 °C
---------------------------------	------------------

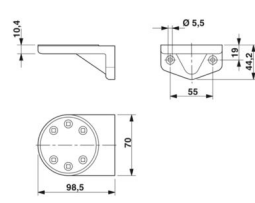
### Mounting

Mounting position	any
-------------------	-----

### Material specifications

Color	black
Material	Polycarbonate PC

### Dimensions

Dimensional drawing	
Height	16 mm
Diameter	70 mm

# PSD-S AS END COVER - End cover



2700148

<https://www.phoenixcontact.com/us/products/2700148>

## Classifications

### ECLASS

ECLASS-11.0	27242292
ECLASS-12.0	27242292
ECLASS-13.0	27242292

### ETIM

ETIM 9.0	EC002584
----------	----------

### UNSPSC

UNSPSC 21.0	32151600
-------------	----------

# PSD-S AS END COVER - End cover



2700148

<https://www.phoenixcontact.com/us/products/2700148>

## Environmental product compliance

China RoHS	Environmentally friendly use period: unlimited = EFUP-e
	No hazardous substances above threshold values

Phoenix Contact 2024 © - all rights reserved  
<https://www.phoenixcontact.com>

Phoenix Contact USA  
586 Fulling Mill Road  
Middletown, PA 17057, United States  
(+717) 944-1300  
[info@phoenixcon.com](mailto:info@phoenixcon.com)