

PSD-S AS CABLE GLAND M16X1,5 - Cable gland



2700145

<https://www.phoenixcontact.com/us/products/2700145>

Please be informed that the data shown in this PDF document is generated from our online catalog. Please find the complete data in the user documentation. Our general terms of use for downloads are valid.



M16 cable threaded joint x 1.5 mm, black

Commercial data

Item number	2700145
Packing unit	1 pc
Minimum order quantity	1 pc
Sales key	DR07
Product key	DRL11Z
Catalog page	Page 520 (C-6-2019)
GTIN	4046356491372
Weight per piece (including packing)	12.9 g
Weight per piece (excluding packing)	12.6 g
Customs tariff number	39269097
Country of origin	DE

PSD-S AS CABLE GLAND M16X1,5 - Cable gland



2700145

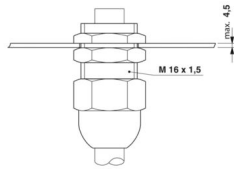
<https://www.phoenixcontact.com/us/products/2700145>

Technical data

Product properties

Product type	Cable screw gland
Scope of delivery	1 x nut
	1 x nut

Dimensions

Dimensional drawing	
Height	35 mm
Diameter	18 mm
Wrench size for mounting	19.00 mm

Material specifications

Color	black
Material	PA

Cable/line

External cable diameter	5 mm ... 10 mm
-------------------------	----------------

Environmental and real-life conditions

Ambient conditions

Ambient temperature (operation)	-30 °C ... 60 °C
---------------------------------	------------------

Mounting

Mounting position	any
Wrench size	19.00 mm

PSD-S AS CABLE GLAND M16X1,5 - Cable gland



2700145

<https://www.phoenixcontact.com/us/products/2700145>

Classifications

ECLASS

ECLASS-11.0	27371232
ECLASS-12.0	27371232
ECLASS-13.0	27371232

ETIM

ETIM 9.0	EC001152
----------	----------

UNSPSC

UNSPSC 21.0	46171600
-------------	----------

PSD-S AS CABLE GLAND M16X1,5 - Cable gland



2700145

<https://www.phoenixcontact.com/us/products/2700145>

Environmental product compliance

China RoHS	Environmentally friendly use period: unlimited = EFUP-e
	No hazardous substances above threshold values

Phoenix Contact 2024 © - all rights reserved
<https://www.phoenixcontact.com>

Phoenix Contact USA
586 Fulling Mill Road
Middletown, PA 17057, United States
(+717) 944-1300
info@phoenixcon.com