

PSD-S OE LED RFL BU - Optical element



2700135

<https://www.phoenixcontact.com/us/products/2700135>

Please be informed that the data shown in this PDF document is generated from our online catalog. Please find the complete data in the user documentation. Our general terms of use for downloads are valid.

LED random flashing beacon element, 24 V DC, blue



Your advantages

- Tool-free element changeover
- High light and color intensity
- Can be freely combined
- Minimum LED service life of 50,000 h
- Low power consumption
- Random flashing light prevents familiarization effect
- Degree of protection IP65

Commercial data

| | |
|--------------------------------------|---------------------|
| Item number | 2700135 |
| Packing unit | 1 pc |
| Minimum order quantity | 1 pc |
| Sales key | DR07 |
| Product key | DRL112 |
| Catalog page | Page 517 (C-6-2019) |
| GTIN | 4046356491273 |
| Weight per piece (including packing) | 82 g |
| Weight per piece (excluding packing) | 78 g |
| Customs tariff number | 85318070 |
| Country of origin | DE |

PSD-S OE LED RFL BU - Optical element



2700135

<https://www.phoenixcontact.com/us/products/2700135>

Technical data

Product properties

| | |
|---------------------|-----------------|
| Product type | Optical element |
| Area of application | Signal tower |

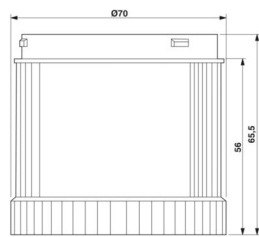
Electrical properties

| | |
|---|-----|
| Maximum power dissipation for nominal condition | 6 W |
|---|-----|

General

| | |
|-------------------------|----------------------------------|
| Input voltage | 24 V DC |
| Maximum inrush current | max. 500 mA |
| Current consumption | 250 mA |
| Source of light type | LED |
| Operating time | 100 % |
| Service life electrical | max. 50,000 h |
| Optical signal type | LED random flashing beacon (RLF) |

Dimensions

| | |
|---------------------|--|
| Dimensional drawing |  |
| Height | 65.5 mm |
| Diameter | 70 mm |

Material specifications

| | |
|---------------|------------------|
| Calotte color | blue |
| Material | Polycarbonate PC |

Environmental and real-life conditions

Ambient conditions

| | |
|---------------------------------|---|
| Degree of protection | IP65 (when installed or with end cover) |
| Ambient temperature (operation) | -20 °C ... 50 °C |

EMC data

| | |
|-------------------------------|---|
| Electromagnetic compatibility | Conformance with EMC Directive 2014/30/EU |
|-------------------------------|---|

Mounting

| | |
|---------------|------------------|
| Mounting type | Plug-in mounting |
|---------------|------------------|

PSD-S OE LED RFL BU - Optical element



2700135

<https://www.phoenixcontact.com/us/products/2700135>

| | |
|-----------------------|--|
| Assembly instructions | Rubber seal pre-installed for each element |
| Mounting position | any |

PSD-S OE LED RFL BU - Optical element



2700135

<https://www.phoenixcontact.com/us/products/2700135>

Classifications

ECLASS

| | |
|-------------|----------|
| ECLASS-11.0 | 27371220 |
| ECLASS-13.0 | 27371220 |
| ECLASS-12.0 | 27371220 |

ETIM

| | |
|----------|----------|
| ETIM 9.0 | EC000232 |
|----------|----------|

UNSPSC

| | |
|-------------|----------|
| UNSPSC 21.0 | 46171600 |
|-------------|----------|

PSD-S OE LED RFL BU - Optical element



2700135

<https://www.phoenixcontact.com/us/products/2700135>

Environmental product compliance

| | |
|------------|--|
| China RoHS | Environmentally Friendly Use Period = 50 years For information on hazardous substances, refer to the manufacturer's declaration available under "Downloads" |
|------------|--|

Phoenix Contact 2024 © - all rights reserved
<https://www.phoenixcontact.com>

Phoenix Contact USA
586 Fulling Mill Road
Middletown, PA 17057, United States
(+717) 944-1300
info@phoenixcon.com