

PSD-S OE LED FL RD - Optical element



2700115

<https://www.phoenixcontact.com/us/products/2700115>

Please be informed that the data shown in this PDF document is generated from our online catalog. Please find the complete data in the user documentation. Our general terms of use for downloads are valid.

LED flashing beacon element, 24 V DC, double flash, red



Your advantages

- Tool-free element changeover
- High light and color intensity
- Can be freely combined
- Minimum LED service life of 50,000 h
- Low power consumption
- Optimum detection thanks to double flash
- Degree of protection IP65

Commercial data

Item number	2700115
Packing unit	1 pc
Minimum order quantity	1 pc
Sales key	DR07
Product key	DRL112
Catalog page	Page 517 (C-6-2019)
GTIN	4046356491105
Weight per piece (including packing)	87.4 g
Weight per piece (excluding packing)	72 g
Customs tariff number	85318070
Country of origin	DE

PSD-S OE LED FL RD - Optical element



2700115

<https://www.phoenixcontact.com/us/products/2700115>

Technical data

Product properties

Product type	Optical element
Area of application	Signal tower

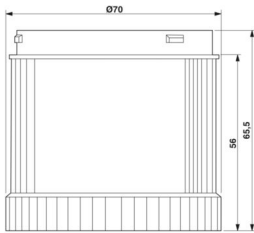
Electrical properties

Maximum power dissipation for nominal condition	0.84 W
---	--------

General

Input voltage	24 V DC
Maximum inrush current	max. 200 mA
Current consumption	35 mA
Source of light type	LED
Operating time	100 %
Service life electrical	max. 50,000 h
Optical signal type	LED flashing beacon with double flash
Signal frequency	approx. 1 Hz

Dimensions

Dimensional drawing	
Height	65.5 mm
Diameter	70 mm

Material specifications

Calotte color	red
Material	Polycarbonate PC

Environmental and real-life conditions

Ambient conditions

Degree of protection	IP65 (when installed or with end cover)
Ambient temperature (operation)	-20 °C ... 50 °C

EMC data

Electromagnetic compatibility	Conformance with EMC Directive 2014/30/EU
-------------------------------	---

Mounting

PSD-S OE LED FL RD - Optical element



2700115

<https://www.phoenixcontact.com/us/products/2700115>

Mounting type	Plug-in mounting
Assembly instructions	Rubber seal pre-installed for each element
Mounting position	any

PSD-S OE LED FL RD - Optical element



2700115

<https://www.phoenixcontact.com/us/products/2700115>

Classifications

ECLASS

ECLASS-11.0	27371220
ECLASS-12.0	27371220
ECLASS-13.0	27371220

ETIM

ETIM 9.0	EC000232
----------	----------

UNSPSC

UNSPSC 21.0	46171600
-------------	----------

PSD-S OE LED FL RD - Optical element



2700115

<https://www.phoenixcontact.com/us/products/2700115>

Environmental product compliance

China RoHS	Environmentally Friendly Use Period = 50 years For information on hazardous substances, refer to the manufacturer's declaration available under "Downloads"
------------	--

Phoenix Contact 2024 © - all rights reserved
<https://www.phoenixcontact.com>

Phoenix Contact USA
586 Fulling Mill Road
Middletown, PA 17057, United States
(+717) 944-1300
info@phoenixcon.com