

PSD-S CE-TM SCREW - Connection element



2700095

<https://www.phoenixcontact.com/us/products/2700095>

Please be informed that the data shown in this PDF document is generated from our online catalog. Please find the complete data in the user documentation. Our general terms of use for downloads are valid.

Connection element with screw connection terminal blocks for tube mounting



Commercial data

Item number	2700095
Packing unit	1 pc
Minimum order quantity	1 pc
Sales key	DR07
Product key	DRL116
Catalog page	Page 520 (C-6-2019)
GTIN	4046356490979
Weight per piece (including packing)	97.5 g
Weight per piece (excluding packing)	91.8 g
Customs tariff number	85319000
Country of origin	DE

PSD-S CE-TM SCREW - Connection element



2700095

<https://www.phoenixcontact.com/us/products/2700095>

Technical data

Product properties

Product type	Assembly element
Scope of delivery	End cover and seal
	End cover and seal
Number of mountable signal elements	max. 5

Electrical properties

General

Nominal input voltage range	12 V AC/DC ... 240 V AC/DC
-----------------------------	----------------------------

Connection data

without ferrule

Connection method	Screw connection
Conductor cross section, flexible	0.5 mm ² ... 1.5 mm ²
Conductor cross section, flexible [AWG]	... 15
Stripping length	7 mm

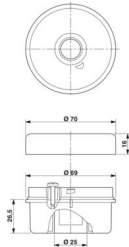
With ferrule

Connection method	Screw connection
Conductor cross section, flexible	0.25 mm ² ... 1.5 mm ²
Conductor cross section, flexible [AWG]	... 15
Stripping length	7 mm

solid

Connection method	Screw connection
Conductor cross section, rigid	0.5 mm ² ... 1.5 mm ²
Stripping length	7 mm

Dimensions

Dimensional drawing	
Height	27 mm
Diameter	69 mm

Material specifications

PSD-S CE-TM SCREW - Connection element



2700095

<https://www.phoenixcontact.com/us/products/2700095>

Color	black
Material	PA-GF

Environmental and real-life conditions

Ambient conditions

Degree of protection	IP65, when installed
Ambient temperature (operation)	-30 °C ... 50 °C

EMC data

Electromagnetic compatibility	Conformance with EMC directive 2004/108/EC and for low-voltage directive 2006/95/EC
-------------------------------	---

Mounting

Mounting type	Tube mounting
Assembly instructions	Rubber seal pre-installed for each element
Mounting position	any

PSD-S CE-TM SCREW - Connection element



2700095

<https://www.phoenixcontact.com/us/products/2700095>

Classifications

ECLASS

ECLASS-11.0	27371232
ECLASS-12.0	27371232
ECLASS-13.0	27371232

ETIM

ETIM 9.0	EC001152
----------	----------

UNSPSC

UNSPSC 21.0	46171600
-------------	----------

PSD-S CE-TM SCREW - Connection element



2700095

<https://www.phoenixcontact.com/us/products/2700095>

Environmental product compliance

REACH SVHC	Lead 7439-92-1
China RoHS	Environmentally Friendly Use Period = 50 years
	For information on hazardous substances, refer to the manufacturer's declaration available under "Downloads"

Phoenix Contact 2024 © - all rights reserved

<https://www.phoenixcontact.com>

Phoenix Contact USA
586 Fulling Mill Road
Middletown, PA 17057, United States
(+717) 944-1300
info@phoenixcon.com