

## Device coupler - FB-DIAG/FF/NC - 2316297


Please be informed that the data shown in this PDF Document is generated from our Online Catalog. Please find the complete data in the user's documentation. Our General Terms of Use for Downloads are valid (<http://phoenixcontact.com/download>)



Field diagnostic module, includes TBUS connector



### Key Commercial Data

Packing unit	1 pc
GTIN	 4 046356 783231
GTIN	4046356783231
Weight per Piece (excluding packing)	100.000 g
Custom tariff number	85389099
Country of origin	United States

### Technical data

#### Note

Utilization restriction	EMC: class A product, see manufacturer's declaration in the download area
	Use in potentially explosive areas is not permitted in China.

#### Dimensions

Width	17.7 mm
Height	85 mm
Depth	70.4 mm

#### Ambient conditions

Ambient temperature (operation)	-40 °C ... 85 °C
Ambient temperature (storage/transport)	-40 °C ... 85 °C

# Device coupler - FB-DIAG/FF/NC - 2316297

## Technical data

### Ambient conditions

Degree of protection	IP20
----------------------	------

### General

Mounting position	Any orientation on DIN rail, NS 35, in acc. with EN 60715
Mounting type	DIN rail mounting
Net weight	97.1 g
Color	green
Conformance	IEC 61158-2
Fieldbus Foundation	FF-830

### Power supply

Supply voltage range	9 V DC ... 32 V DC
Max. current consumption	29 mA
Typical current consumption	27 mA

### Interfaces

Interface 1	FOUNDATION Fieldbus
Connection method	TBUS
Output nominal voltage	≤ 32 V
Output current	29 mA
Maximum output current	29 mA

### Safety data

ATEX	Sira 13ATEX4148X; # II 3G Ex nA IIC T4 Gc
IECEX	IECEX SIR 13.0059X; Ex nA IIC T4 Gc
CSA, USA/Canada	Class I, Div. 2, Groups A,B,C,D; Ex nA IIC T4_Gc Class I, Zone 2, AEx nA IIC T4_Gc

### Standards and Regulations

Type of test	Shock in acc. with EN 60068-2-27/IEC 60068-2-27
Test result	30g, 11 ms half-sine shock pulse
Type of test	Vibration resistance in acc. with EN 60068-2-6/IEC 60068-2-6
Test result	5g, 10 ... 150 Hz
Type of test	Corrosive resistance in acc. to ANSI-ISA 71.04-1985 - Severity level G3
Designation	Standards/regulations
Standards/regulations	Ring wave noise immunity in acc. with IEC 61000-4-12
Designation	Standards/regulations
Standards/regulations	Dry heat in acc. with IEC 61131-2
Designation	Standards/regulations
Standards/regulations	Damp heat in acc. with IEC 61131-2

# Device coupler - FB-DIAG/FF/NC - 2316297

## Technical data

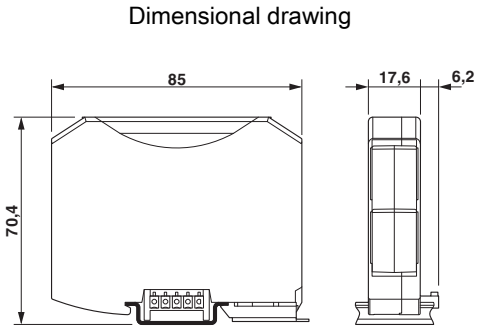
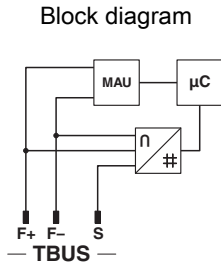
### Standards and Regulations

Designation	Standards/regulations
Standards/regulations	Shock and vibration in acc. with EN 61131-2 and EN 50178
	IEC 61158-2
Flammability rating according to UL 94	V0
Conformance	IEC 61158-2
Fieldbus Foundation	FF-830
ATEX	Sira 13ATEX4148X; # II 3G Ex nA IIC T4 Gc
IECEX	IECEX SIR 13.0059X; Ex nA IIC T4 Gc
CSA, USA/Canada	Class I, Div. 2, Groups A,B,C,D; Ex nA IIC T4_Gc Class I, Zone 2, AEx nA IIC T4_Gc

### Environmental Product Compliance

China RoHS	Environmentally Friendly Use Period = 50 years
	For details about hazardous substances go to tab "Downloads", Category "Manufacturer's declaration"

## Drawings



## Classifications

### eCl@ss

eCl@ss 10.0.1	27242610
eCl@ss 11.0	27242610
eCl@ss 4.0	27250200
eCl@ss 4.1	27250200
eCl@ss 5.0	27259200
eCl@ss 5.1	27259200
eCl@ss 6.0	27242600
eCl@ss 7.0	27242610

## Device coupler - FB-DIAG/FF/NC - 2316297

### Classifications

#### eCl@ss

eCl@ss 9.0	27242610
------------	----------

#### ETIM

ETIM 3.0	EC001600
ETIM 4.0	EC000261
ETIM 6.0	EC001600
ETIM 7.0	EC001600

#### UNSPSC

UNSPSC 6.01	30211506
UNSPSC 7.0901	39121008
UNSPSC 11	39121008
UNSPSC 12.01	39121008
UNSPSC 13.2	32151602
UNSPSC 18.0	32151602
UNSPSC 19.0	32151602
UNSPSC 20.0	32151602
UNSPSC 21.0	32151602