

FB-PS-PLUG-24DC/28DC/0.5/EX - Power module



2316132

<https://www.phoenixcontact.com/us/products/2316132>

Please be informed that the data shown in this PDF document is generated from our online catalog. Please find the complete data in the user documentation. Our general terms of use for downloads are valid.



Power supply plug for fieldbus system in hazardous locations. Provides 500 mA @ 28 V DC to couplers along the trunk.

Commercial data

Item number	2316132
Packing unit	1 pc
Sales key	DN11
Product key	DNC1Z1
Catalog page	Page 459 (C-6-2019)
GTIN	4046356619981
Weight per piece (including packing)	250 g
Weight per piece (excluding packing)	218 g
Customs tariff number	85044083
Country of origin	US

Technical data

Input data

Input voltage	24 V DC
Nominal input voltage range	18.5 V DC ... 30.5 V DC
Input voltage range DC	18.5 V DC ... 30.5 V DC
Short-term input voltage	24 V DC

Output data

Output voltage range	28 V DC ... 30 V DC (on the trunk)
Nominal output current (I_N)	500 mA
Output power	13.5 W
Power dissipation	4 W (typical)
Connection in parallel	yes, for redundancy
Connection in series	No

Connection data

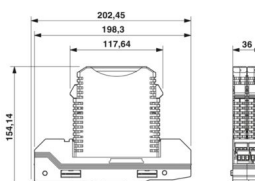
Output

Connection method	Plug-in connection
-------------------	--------------------

Product properties

Product type	Power supply
--------------	--------------

Dimensions

Dimensional drawing	
Width	17.5 mm
Height	117.6 mm
Depth	115 mm

Mounting

Assembly instructions	Plug-in connections may only be operated only when there is no load/voltage.
-----------------------	--

Environmental and real-life conditions

Ambient conditions

Degree of protection	IP20
Ambient temperature (operation)	-40 °C ... 70 °C

2316132

<https://www.phoenixcontact.com/us/products/2316132>

Ambient temperature (storage/transport)	-40 °C ... 85 °C
Max. permissible relative humidity (operation)	95 % (non-condensing)

Standards and regulations

Standards

Standards/regulations	NE21
	EN 61326
Standards/specifications	Ring wave noise immunity in acc. with IEC 61000-4-12
Standards/specifications	Dry heat in acc. with IEC 61131-2
Standards/specifications	Damp heat in acc. with IEC 61131-2
Standards/specifications	Shock and vibration in acc. with EN 61131-2 and EN 50178
Standards/specifications	IEC 61158-2

Approvals

Conformity/Approvals

Fieldbus Foundation	FF-831
EN	EN 61326
NE	NAMUR NE 21

Ex data

ATEX	Sira 11ATEX4216X; II 3 G Ex nA nC IIC T4 Gc
IECEX	IECEX SIR 11.0097X; Ex nA nC IIC T4 Gc
CSA, USA/Canada	Class I, Div. 2, Groups A, B, C, D; Ex nA nC IIC T4 Class I, Zone 2, AEx nA nC IIC T4

Ex data

Safety data

Input voltage U_i	30.5 V DC (input power)
Input current I_i	850 mA (input power)
Inductance L_i	17.6 mH (trunk and host)
Max. output voltage U_o	30 V DC (trunk and host)

Notes

Utilization restriction

EMC note	EMC: class A product, see manufacturer's declaration in the download area
----------	---

FB-PS-PLUG-24DC/28DC/0.5/EX - Power module



2316132

<https://www.phoenixcontact.com/us/products/2316132>

Classifications

ECLASS

ECLASS-11.0	27242611
ECLASS-12.0	27242611
ECLASS-13.0	27242611

ETIM

ETIM 9.0	EC002583
----------	----------

UNSPSC

UNSPSC 21.0	32151600
-------------	----------

FB-PS-PLUG-24DC/28DC/0.5/EX - Power module



2316132

<https://www.phoenixcontact.com/us/products/2316132>

Environmental product compliance

REACH SVHC	Lead 7439-92-1
China RoHS	Environmentally Friendly Use Period = 50 years
	For information on hazardous substances, refer to the manufacturer's declaration available under "Downloads"

Phoenix Contact 2024 © - all rights reserved

<https://www.phoenixcontact.com>

Phoenix Contact USA
586 Fulling Mill Road
Middletown, PA 17057, United States
(+717) 944-1300
info@phoenixcon.com