

# SUBCON-PLUS-CAN/AX - D-SUB bus connector



2306566

<https://www.phoenixcontact.com/us/products/2306566>

Please be informed that the data shown in this PDF document is generated from our online catalog. Please find the complete data in the user documentation. Our general terms of use for downloads are valid.



D-SUB connector, 9-pos. female connector, axial version with two cable entries, bus system: CAN, CANopen, SafetyBUS p; pin assignment: 2, 3, 7; screw connection terminal blocks

## Product description

The SUBCON-PLUS-CAN/... D-SUB series is specifically designed for use in CAN systems. Under field conditions, it enables the quick and easy connection of the incoming and outgoing bus line. The terminating resistor is already integrated in all versions. It can be connected externally by means of a slide switch. At the same time, the outgoing bus segment is switched off. This makes it easy to start up segment by segment while incorrect terminations are avoided.

## Your advantages

- Separate terminal blocks for bus cables
- Segment-by-segment startup
- High transmission speed
- Assembly under field conditions
- Flexibility in terms of cable entry selection
- High level of EMC
- Suitable for bus cables according to CiA Draft Recommendation 303-1 with an outside diameter of 8 mm
- Termination resistor can be connected

## Commercial data

Item number	2306566
Packing unit	1 pc
Minimum order quantity	1 pc
Sales key	DN10
Product key	DNC541
Catalog page	Page 449 (C-6-2019)
GTIN	4017918962906
Weight per piece (including packing)	53.9 g
Weight per piece (excluding packing)	38.8 g
Customs tariff number	85366990
Country of origin	DE

# SUBCON-PLUS-CAN/AX - D-SUB bus connector



2306566

<https://www.phoenixcontact.com/us/products/2306566>

## Technical data

### Notes

#### Utilization restriction

CCCex note	Use in potentially explosive areas is not permitted in China.
------------	---

### Product properties

Product type	Data plug
MTTF	6706 Years (SN 29500 standard, temperature 25°C, operating cycle 21%)
	1817 Years (SN 29500 standard, temperature 40°C, operating cycle 34.25%)
	155 Years (SN 29500 standard, temperature 40°C, operating cycle 100%)
Pin assignment	2, 3, 7

### Electrical properties

Nominal voltage $U_N$	5 V
Nominal current $I_N$	100 mA

### Connection data

Tightening torque	... 0.4 Nm
-------------------	------------

#### D-SUB connection

Connection method	D-SUB socket
-------------------	--------------

#### PCB connection

Connection method	Screw connection
Stripping length	5 mm
Conductor cross section, rigid min.	0.14 mm <sup>2</sup>
Conductor cross section, rigid max.	0.5 mm <sup>2</sup>
Conductor cross section flexible min.	0.14 mm <sup>2</sup>
Conductor cross section flexible max.	0.5 mm <sup>2</sup>
Single-wire/terminal point, rigid AWG min.	26
Single-wire/terminal point, rigid AWG max.	20
Min. AWG conductor cross section, flexible	26
Max. AWG conductor cross section, flexible	20

### Interfaces

Bus system	CAN, CANopen, SafetyBus-P
Signal	CAN
	CANopen®
	SafetyBUS p

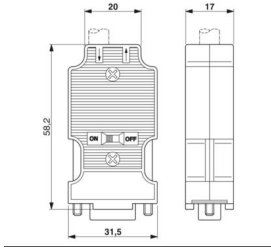
### Dimensions

# SUBCON-PLUS-CAN/AX - D-SUB bus connector



2306566

<https://www.phoenixcontact.com/us/products/2306566>

Dimensional drawing	
Width	17 mm
Height	31.5 mm
Length	58.2 mm

## Material specifications

Material Housing	ABS, metal-plated
------------------	-------------------

## Cable/line

External cable diameter ( )	7.6 mm ... 8.4 mm (Incoming bus line)
-----------------------------	---------------------------------------

## Mechanical properties

### Mechanical data

Insertion/withdrawal cycles	> 200
-----------------------------	-------

## Environmental and real-life conditions

### Ambient conditions

Degree of protection	IP40
Ambient temperature (operation)	-20 °C ... 75 °C
Ambient temperature (storage/transport)	-25 °C ... 80 °C
Altitude	≤ 5000 m (For restrictions, see the manufacturer's declaration for altitude operation)
Permissible humidity (operation)	10 % ... 95 % (non-condensing)
Permissible humidity (storage/transport)	5 % ... 95 % (non-condensing)

## Approvals

### EAC

Identification	EAC
----------------	-----

### ATEX

Identification	Ⓔ II 3 G Ex nA IIC T4 Gc X
Note	Please follow the special installation instructions in the documentation!

### Corrosive gas test

Identification	ISA-S71.04-1985 G3 Harsh Group A
----------------	----------------------------------

## Standards and regulations

# SUBCON-PLUS-CAN/AX - D-SUB bus connector



2306566

<https://www.phoenixcontact.com/us/products/2306566>

Free from substances that could impair the application of coating

in accordance with VW-AUDI-Seat central standard P-VW 3.10.7  
57 65 0

# SUBCON-PLUS-CAN/AX - D-SUB bus connector



2306566

<https://www.phoenixcontact.com/us/products/2306566>

## Classifications

### ECLASS

ECLASS-11.0	27440302
ECLASS-12.0	27440302
ECLASS-13.0	27440302

### ETIM

ETIM 9.0	EC001132
----------	----------

### UNSPSC

UNSPSC 21.0	39121400
-------------	----------

# SUBCON-PLUS-CAN/AX - D-SUB bus connector



2306566

<https://www.phoenixcontact.com/us/products/2306566>

## Environmental product compliance

REACH SVHC	Lead 7439-92-1
China RoHS	Environmentally Friendly Use Period = 50 years
	For information on hazardous substances, refer to the manufacturer's declaration available under "Downloads"

Phoenix Contact 2024 © - all rights reserved

<https://www.phoenixcontact.com>

Phoenix Contact USA  
586 Fulling Mill Road  
Middletown, PA 17057, United States  
(+717) 944-1300  
[info@phoenixcon.com](mailto:info@phoenixcon.com)