

# ME 12,5 OTU-MKDSO KMGY - Upper housing part



2278869

<https://www.phoenixcontact.com/us/products/2278869>

Please be informed that the data shown in this PDF document is generated from our online catalog. Please find the complete data in the user documentation. Our general terms of use for downloads are valid.

DIN rail housing, Upper housing part for PCB terminal blocks with screw connection, width: 12.6 mm, height: 99 mm, depth: 45.85 mm, color: light grey (similar RAL 7035)



## Your advantages

- Tool-free mounting
- Available in overall widths from 12.5 mm to 90 mm, modular extension possible
- Flammability rating V0 in accordance with UL 94
- Variety of connection technology
- Can be mounted on the DIN rail
- With integrated or DIN-rail-mountable bus connector as an option

## Commercial data

Item number	2278869
Packing unit	10 pc
Minimum order quantity	10 pc
Note	Made to order (non-returnable)
Sales key	AC08
Product key	ACHAAD
GTIN	4046356328975
Weight per piece (including packing)	8.718 g
Weight per piece (excluding packing)	8.98 g
Customs tariff number	85389099
Country of origin	DE

# ME 12,5 OTU-MKDSO KMGY - Upper housing part

2278869

<https://www.phoenixcontact.com/us/products/2278869>

## Technical data

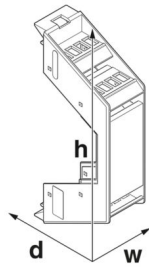
### Notes

General	Refer to the data sheet for the range in the download area.
---------	---

### Product properties

Product type	Upper housing part
Housing series	ME
Product family	ME..OTU-MKDSO
Max. number of positions	12 (pitch: 3.5 mm) 8 (pitch: 5 mm)
Type	Upper housing part for PCB terminal blocks with screw connection
Housing type	DIN rail housing
Ventilation openings present	no

### Dimensions

Dimensional drawing	
Width	12.6 mm
Height	99 mm
Depth	45.85 mm
Depth from base support surface	38.5 mm

### PCB design

PCB thickness	1.4 mm ... 1.8 mm
---------------	-------------------

### Material specifications

Color (Housing)	light grey (RAL 7035)
Flammability rating according to UL 94	V0
CTI according to IEC 60112	600
Surface characteristics	untreated
Housing material	Polyamide

### Environmental and real-life conditions

#### Vibration test

Specification	IEC 60068-2-6:2007-12
Frequency	10 - 150 - 10 Hz

# ME 12,5 OTU-MKDSO KMGY - Upper housing part



2278869

<https://www.phoenixcontact.com/us/products/2278869>

Sweep speed	1 octave/min
Amplitude	0.15 mm (10 Hz ... 58.1 Hz)
Acceleration	2g (58.1 Hz ... 150 Hz)
Test duration per axis	2.5 h
Test directions	X-, Y- and Z-axis

## Glow-wire test

Specification	IEC 60695-2-11:2014-02
Temperature	850 °C
Time of exposure	30 s

## Thermal stability / ball thrust test

Specification	IEC 60695-10-2:2014-02
Temperature	125 °C
Test duration	1 h
Force	20 N

## Mechanical strength / tumbling barrel

Specification	IEC 60998-1:2002-12
Height of fall	50 cm
Frequency	10

## Shocks

Specification	IEC 60068-2-27:2008-02
Pulse shape	Half-sine
Acceleration	15g
Shock duration	11 ms
Number of shocks per direction	3
Test directions	X-, Y- and Z-axis (pos. and neg.)

## Degree of protection (IP code)

Specification	IEC 60529:1989-11 + AMD 1:1999-11 + AMD 2:2013-08
---------------	---

## Ambient conditions

Max. IP code to attain	IP20
Ambient temperature (operation)	-40 °C ... 105 °C (depending on power dissipation)
Ambient temperature (storage/transport)	-40 °C ... 55 °C
Ambient temperature (assembly)	-5 °C ... 100 °C
Relative humidity (storage/transport)	80 %

## PCB data

Number of PCB holders	1
Type of PCB mount	Slot
Thickness of the PCB	1.4 mm ... 1.8 mm

## Mounting

Mounting type	Latching with lower housing part
---------------	----------------------------------

# ME 12,5 OTU-MKDSO KMGY - Upper housing part



2278869

<https://www.phoenixcontact.com/us/products/2278869>

Mounting position	Vertical (horizontal DIN rail)
-------------------	--------------------------------

## Packaging specifications

Type of packaging	packed in cardboard
Outer packaging type	Carton

# ME 12,5 OTU-MKDSO KMGY - Upper housing part



2278869

<https://www.phoenixcontact.com/us/products/2278869>

## Classifications

### ECLASS

ECLASS-11.0	27182702
ECLASS-13.0	27190603

### ETIM

ETIM 9.0	EC001031
----------	----------

### UNSPSC

UNSPSC 21.0	31261500
-------------	----------

# ME 12,5 OTU-MKDSO KMGY - Upper housing part



2278869

<https://www.phoenixcontact.com/us/products/2278869>

## Environmental product compliance

China RoHS	Environmentally friendly use period: unlimited = EFUP-e
	No hazardous substances above threshold values

Phoenix Contact 2024 © - all rights reserved  
<https://www.phoenixcontact.com>

Phoenix Contact USA  
586 Fulling Mill Road  
Middletown, PA 17057, United States  
(+717) 944-1300  
[info@phoenixcon.com](mailto:info@phoenixcon.com)