

ME PLC 40 B BUS 50/40 GY7035 - Mounting base housing



2201500

<https://www.phoenixcontact.com/us/products/2201500>

Please be informed that the data shown in this PDF document is generated from our online catalog. Please find the complete data in the user documentation. Our general terms of use for downloads are valid.



DIN rail housing, Lower housing part with metal foot catch, for 50/40 bus connector, width: 39.7 mm, height: 180.1 mm, depth: 137.7 mm, color: light grey (similar RAL 7035), cross connection: DIN rail connector (optional), number of positions cross connector: 50

Your advantages

- Tool-free mounting
- Available in 40 mm overall width
- Flammability rating V0 in accordance with UL 94
- Variety of connection technology
- Can be mounted on the DIN rail
- With DIN-rail-mountable bus connector and power connector system as an option

Commercial data

Item number	2201500
Packing unit	10 pc
Minimum order quantity	10 pc
Sales key	AC15
Product key	ACHEAA
Catalog page	Page 733 (C-1-2013)
GTIN	4046356839686
Weight per piece (including packing)	185 g
Weight per piece (excluding packing)	185 g
Customs tariff number	85389099
Country of origin	DE

ME PLC 40 B BUS 50/40 GY7035 - Mounting base housing



2201500

<https://www.phoenixcontact.com/us/products/2201500>

Technical data

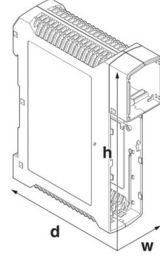
Notes

General	Refer to the data sheet for the range in the download area.
---------	---

Product properties

Product type	Enclosure bottom part
Housing series	ME PLC
Max. number of positions	36 (pitch: 5 mm)
Type	Lower housing part with metal foot catch
Housing type	DIN rail housing
Ventilation openings present	yes

Dimensions

Dimensional drawing	
Width	39.7 mm
Height	180.1 mm
Depth	137.7 mm
Depth from top edge of DIN rail	131.1 mm
Depth from top edge of DIN rail to support point on upper part	108 mm

PCB design

PCB thickness	1.4 mm ... 1.8 mm
---------------	-------------------

Material specifications

Color (Housing)	light grey (RAL 7035)
Flammability rating according to UL 94	V0
CTI according to IEC 60112	225
Surface characteristics	untreated
Housing material	Polycarbonate

Environmental and real-life conditions

Ambient conditions

Max. IP code to attain	IP20
Ambient temperature (operation)	-40 °C ... 105 °C (depending on power dissipation)
Ambient temperature (storage/transport)	-40 °C ... 70 °C

ME PLC 40 B BUS 50/40 GY7035 - Mounting base housing



2201500

<https://www.phoenixcontact.com/us/products/2201500>

Ambient temperature (assembly)	-5 °C ... 100 °C
Relative humidity (storage/transport)	95 %

PCB data

Number of PCB holders	1
Type of PCB mount	Latching
Total PCB surface	16000 mm ²
Thickness of the PCB	1.4 mm ... 1.8 mm

Mounting

Mounting type	DIN rail mounting
Mounting position	Vertical (horizontal DIN rail)

Packaging specifications

Type of packaging	packed in cardboard
Outer packaging type	Carton

ME PLC 40 B BUS 50/40 GY7035 - Mounting base housing



2201500

<https://www.phoenixcontact.com/us/products/2201500>

Classifications

ECLASS

ECLASS-11.0	27182702
ECLASS-13.0	27190601

ETIM

ETIM 9.0	EC001031
----------	----------

UNSPSC

UNSPSC 21.0	31261500
-------------	----------

ME PLC 40 B BUS 50/40 GY7035 - Mounting base housing



2201500

<https://www.phoenixcontact.com/us/products/2201500>

Environmental product compliance

China RoHS	Environmentally friendly use period: unlimited = EFUP-e No hazardous substances above threshold values
------------	---

Phoenix Contact 2024 © - all rights reserved
<https://www.phoenixcontact.com>

Phoenix Contact USA
586 Fulling Mill Road
Middletown, PA 17057, United States
(+717) 944-1300
info@phoenixcon.com