

# ME PLC 40 CTRJ45 GY7035 - Front connection module

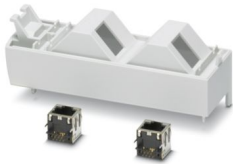


2201495

<https://www.phoenixcontact.com/us/products/2201495>

Please be informed that the data shown in this PDF document is generated from our online catalog. Please find the complete data in the user documentation. Our general terms of use for downloads are valid.

Connection technology carrier for RJ45 connection, pre-assembled with cover and release lever, incl. fitted cover and 2x RJ45 connector plugs



## Your advantages

- Tool-free mounting
- Available in 40 mm overall width
- Flammability rating V0 in accordance with UL 94
- Variety of connection technology
- Can be mounted on the DIN rail
- With DIN-rail-mountable bus connector and power connector system as an option

## Commercial data

Item number	2201495
Packing unit	10 pc
Minimum order quantity	10 pc
Sales key	AC15
Product key	ACHEAB
Catalog page	Page 733 (C-1-2013)
GTIN	4046356838634
Weight per piece (including packing)	72.43 g
Weight per piece (excluding packing)	72.43 g
Customs tariff number	85366990
Country of origin	DE

# ME PLC 40 CTRJ45 GY7035 - Front connection module

2201495

<https://www.phoenixcontact.com/us/products/2201495>

## Technical data

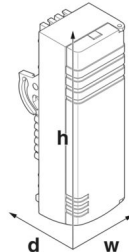
### Notes

General	Refer to the data sheet for the range in the download area.
---------	---

### Product properties

Product type	Upper housing part
Housing series	ME PLC
Type	Set consisting of upper housing part and connection technology
Housing type	DIN rail housing
Ventilation openings present	no

### Dimensions

Dimensional drawing	
Width	39.7 mm
Height	128 mm
Depth	43.8 mm

### Material specifications

Color (Housing)	light grey (RAL 7035)
Flammability rating according to UL 94	V0
CTI according to IEC 60112	225
Surface characteristics	untreated
Housing material	Polycarbonate

### Environmental and real-life conditions

#### Ambient conditions

Max. IP code to attain	IP20
Ambient temperature (operation)	-40 °C ... 105 °C (depending on power dissipation)
Ambient temperature (storage/transport)	-40 °C ... 70 °C
Ambient temperature (assembly)	-5 °C ... 100 °C
Relative humidity (storage/transport)	95 %

### Mounting

Mounting type	Latching with lower housing part
Mounting position	Vertical (horizontal DIN rail)

# ME PLC 40 CTRJ45 GY7035 - Front connection module



2201495

<https://www.phoenixcontact.com/us/products/2201495>

## Packaging specifications

Type of packaging	packed in cardboard
Outer packaging type	Carton

# ME PLC 40 CTRJ45 GY7035 - Front connection module



2201495

<https://www.phoenixcontact.com/us/products/2201495>

## Classifications

### ECLASS

ECLASS-11.0	27182702
ECLASS-13.0	27190401

### ETIM

ETIM 9.0	EC001031
----------	----------

### UNSPSC

UNSPSC 21.0	31261500
-------------	----------

# ME PLC 40 CTRJ45 GY7035 - Front connection module



2201495

<https://www.phoenixcontact.com/us/products/2201495>

## Environmental product compliance

China RoHS	Environmentally friendly use period: unlimited = EFUP-e
	No hazardous substances above threshold values

Phoenix Contact 2024 © - all rights reserved  
<https://www.phoenixcontact.com>

Phoenix Contact USA  
586 Fulling Mill Road  
Middletown, PA 17057, United States  
(+717) 944-1300  
[info@phoenixcon.com](mailto:info@phoenixcon.com)