

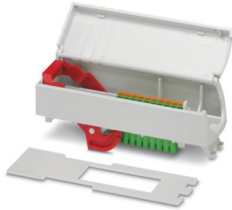
ME PLC 40 CT20 GY7035 - Front connection module



2201493

<https://www.phoenixcontact.com/us/products/2201493>

Please be informed that the data shown in this PDF document is generated from our online catalog. Please find the complete data in the user documentation. Our general terms of use for downloads are valid.



Connection technology carrier, fully assembled with FKCN 2x 10-pos., cover and release lever, incl. fitted cover, corresponding header: 1x CCDN 2,5/10-G1 P26 THR (1734355)

Your advantages

- Tool-free mounting
- Available in 40 mm overall width
- Flammability rating V0 in accordance with UL 94
- Variety of connection technology
- Can be mounted on the DIN rail
- With DIN-rail-mountable bus connector and power connector system as an option

Commercial data

Item number	2201493
Packing unit	10 pc
Minimum order quantity	10 pc
Sales key	AC15
Product key	ACHEAB
Catalog page	Page 733 (C-1-2013)
GTIN	4046356838610
Weight per piece (including packing)	100.48 g
Weight per piece (excluding packing)	93.6 g
Customs tariff number	85366990
Country of origin	DE

ME PLC 40 CT20 GY7035 - Front connection module



2201493

<https://www.phoenixcontact.com/us/products/2201493>

Technical data

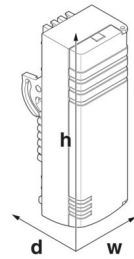
Notes

General	Refer to the data sheet for the range in the download area.
---------	---

Product properties

Product type	Upper housing part
Housing series	ME PLC
Max. number of positions	20 (pitch: 5 mm)
Type	Set consisting of upper housing part and connection technology
Housing type	DIN rail housing
Ventilation openings present	no

Dimensions

Dimensional drawing	
Width	39.7 mm
Height	128 mm
Depth	48.3 mm

Material specifications

Color (Housing)	light grey (RAL 7035)
Flammability rating according to UL 94	V0
CTI according to IEC 60112	225
Surface characteristics	untreated
Housing material	Polycarbonate

Environmental and real-life conditions

Ambient conditions

Max. IP code to attain	IP20
Ambient temperature (operation)	-40 °C ... 105 °C (depending on power dissipation)
Ambient temperature (storage/transport)	-40 °C ... 70 °C
Ambient temperature (assembly)	-5 °C ... 100 °C
Relative humidity (storage/transport)	95 %

Mounting

Mounting type	Latching with lower housing part
---------------	----------------------------------

ME PLC 40 CT20 GY7035 - Front connection module



2201493

<https://www.phoenixcontact.com/us/products/2201493>

Mounting position	Vertical (horizontal DIN rail)
-------------------	--------------------------------

Packaging specifications

Type of packaging	packed in cardboard
Outer packaging type	Carton

ME PLC 40 CT20 GY7035 - Front connection module



2201493

<https://www.phoenixcontact.com/us/products/2201493>

Classifications

ECLASS

ECLASS-11.0	27182702
ECLASS-13.0	27190401

ETIM

ETIM 9.0	EC001031
----------	----------

UNSPSC

UNSPSC 21.0	31261500
-------------	----------

ME PLC 40 CT20 GY7035 - Front connection module



2201493

<https://www.phoenixcontact.com/us/products/2201493>

Environmental product compliance

China RoHS	Environmentally friendly use period: unlimited = EFUP-e No hazardous substances above threshold values
------------	---

Phoenix Contact 2024 © - all rights reserved
<https://www.phoenixcontact.com>

Phoenix Contact USA
586 Fulling Mill Road
Middletown, PA 17057, United States
(+717) 944-1300
info@phoenixcon.com