

HC-ALU 6-161 PROFILE 200 - Electronics housing



2200904

<https://www.phoenixcontact.com/us/products/2200904>

Please be informed that the data shown in this PDF document is generated from our online catalog. Please find the complete data in the user documentation. Our general terms of use for downloads are valid.



Profile housing, Wall mounting (with accessories as an option), Aluminum profile, 2-piece, profile width (internal): 161 mm, profile width (external): 187 mm, length: 200 mm, height: 187 mm, depth: 54.6 mm

Your advantages

- Aluminum extruded profile
- Available in lengths from 100 mm ... 1000 mm, can be cut to any length
- Available in overall widths from 53.5 mm ... 161 mm
- Up to IP65 degree of protection
- Can be used as handheld and wall housing
- Optional EMC seals available

Commercial data

Item number	2200904
Packing unit	1 pc
Minimum order quantity	1 pc
Sales key	AC02
Product key	ACFAAA
Catalog page	Page 769 (C-1-2013)
GTIN	4046356715867
Weight per piece (including packing)	881.6 g
Weight per piece (excluding packing)	881 g
Customs tariff number	76042100
Country of origin	HU

HC-ALU 6-161 PROFILE 200 - Electronics housing



2200904

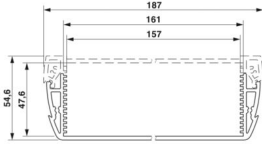
<https://www.phoenixcontact.com/us/products/2200904>

Technical data

Product properties

Product type	Component housing lower part
Housing series	HC-ALU
Product family	HC-ALU 6-161
Type	Aluminum profile, 2-piece
Housing type	Profile housing
Ventilation openings present	no

Dimensions

Dimensional drawing	
Height	187 mm
Depth	54.6 mm
Length	200 mm

External dimensions

Profile width (external)	187 mm
--------------------------	--------

Internal dimensions

Profile width (internal)	161 mm
--------------------------	--------

Material specifications

Color (Housing)	graphite grey (RAL 7024)
Surface characteristics	powder coated
Housing material	Aluminum

Environmental and real-life conditions

Ambient conditions

Max. IP code to attain	IP65
Ambient temperature (operation)	-40 °C ... 85 °C

PCB data

Number of PCB holders	7
Type of PCB mount	Slot

Mounting

Mounting type	Wall mounting (with accessories as an option)
---------------	---

HC-ALU 6-161 PROFILE 200 - Electronics housing



2200904

<https://www.phoenixcontact.com/us/products/2200904>

Classifications

ECLASS

ECLASS-11.0	27182701
ECLASS-13.0	27190601

ETIM

ETIM 9.0	EC002779
----------	----------

UNSPSC

UNSPSC 21.0	31261500
-------------	----------

HC-ALU 6-161 PROFILE 200 - Electronics housing



2200904

<https://www.phoenixcontact.com/us/products/2200904>

Environmental product compliance

China RoHS	Environmentally friendly use period: unlimited = EFUP-e No hazardous substances above threshold values
------------	---

Phoenix Contact 2024 © - all rights reserved
<https://www.phoenixcontact.com>

Phoenix Contact USA
586 Fulling Mill Road
Middletown, PA 17057, United States
(+717) 944-1300
info@phoenixcon.com