

# HC-ALU 6-53,5 PROFILE 1000 - Electronics housing



2200890

<https://www.phoenixcontact.com/us/products/2200890>

Please be informed that the data shown in this PDF document is generated from our online catalog. Please find the complete data in the user documentation. Our general terms of use for downloads are valid.



Profile housing, Wall mounting (with accessories as an option), Aluminum profile, 2-piece, profile width (internal): 53.5 mm, profile width (external): 74 mm, length: 1000 mm, height: 74 mm, depth: 53.5 mm

## Your advantages

- Aluminum extruded profile
- Available in lengths from 100 mm ... 1000 mm, can be cut to any length
- Available in overall widths from 53.5 mm ... 161 mm
- Up to IP65 degree of protection
- Can be used as handheld and wall housing
- Optional EMC seals available

## Commercial data

Item number	2200890
Packing unit	1 pc
Minimum order quantity	1 pc
Sales key	AC02
Product key	ACFAAA
Catalog page	Page 768 (C-1-2013)
GTIN	4046356716239
Weight per piece (including packing)	1,510 g
Weight per piece (excluding packing)	1,510 g
Customs tariff number	76042100
Country of origin	HU

2200890

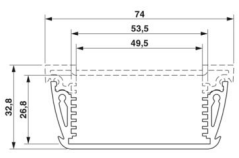
<https://www.phoenixcontact.com/us/products/2200890>

## Technical data

### Product properties

Product type	Component housing lower part
Housing series	HC-ALU
Product family	HC-ALU 6-53,5
Type	Aluminum profile, 2-piece
Housing type	Profile housing
Ventilation openings present	no

### Dimensions

Dimensional drawing	
Height	74 mm
Depth	53.5 mm
Length	1000 mm

### External dimensions

Profile width (external)	74 mm
--------------------------	-------

### Internal dimensions

Profile width (internal)	53.5 mm
--------------------------	---------

### Material specifications

Color (Housing)	graphite grey (RAL 7024)
Surface characteristics	powder coated
Housing material	Aluminum

### Environmental and real-life conditions

#### Ambient conditions

Degree of protection	IP65
Max. IP code to attain	IP65
Ambient temperature (operation)	-40 °C ... 85 °C

### PCB data

Number of PCB holders	7
Type of PCB mount	Slot

### Mounting

Mounting type	Wall mounting (with accessories as an option)
---------------	---

# HC-ALU 6-53,5 PROFILE 1000 - Electronics housing



2200890

<https://www.phoenixcontact.com/us/products/2200890>

## Classifications

### ECLASS

ECLASS-11.0	27182701
ECLASS-13.0	27190601

### ETIM

ETIM 9.0	EC002779
----------	----------

### UNSPSC

UNSPSC 21.0	31261500
-------------	----------

# HC-ALU 6-53,5 PROFILE 1000 - Electronics housing



2200890

<https://www.phoenixcontact.com/us/products/2200890>

## Environmental product compliance

China RoHS	Environmentally friendly use period: unlimited = EFUP-e
	No hazardous substances above threshold values

Phoenix Contact 2024 © - all rights reserved  
<https://www.phoenixcontact.com>

Phoenix Contact USA  
586 Fulling Mill Road  
Middletown, PA 17057, United States  
(+717) 944-1300  
[info@phoenixcon.com](mailto:info@phoenixcon.com)