

FOPT 2,2-T - FO PCB terminal block



1907911

<https://www.phoenixcontact.com/us/products/1907911>

Please be informed that the data shown in this PDF document is generated from our online catalog. Please find the complete data in the user documentation. Our general terms of use for downloads are valid.



PCB terminal block, nominal cross section: 0 mm², number of potentials: 1, number of rows: 1, number of positions per row: 1, product range: FOPT, pitch: 10.16 mm, connection method: Push-in spring connection, mounting: Wave soldering, conductor/PCB connection direction: 0 °, color: green, Pin layout: Linear pinning, Solder pin [P]: 6 mm, number of solder pins per potential: 4, type of packaging: packed in cardboard. Green housing with transmit diode/fiber optics that can be connected: polymer fiber (according to IEC 60793-2 type A4a, diameter of outer sheath: 2.2 mm)/data rate: 5 Mbps/transmission distance: max. 50 m/detailed data sheet in download area

Your advantages

- Connection of fiber optics without fiber pretreatment
- Time saving push-in connection, tools not required
- Defined contact force ensures that contact remains stable over the long term
- Intuitive operation due to color-coded actuating push button

Commercial data

Item number	1907911
Packing unit	10 pc
Minimum order quantity	10 pc
Sales key	AA13
Product key	AAMSAA
Catalog page	Page 437 (C-1-2013)
GTIN	4017918606237
Weight per piece (including packing)	3.56 g
Weight per piece (excluding packing)	3.542 g
Customs tariff number	85369010
Country of origin	PL

FOPT 2,2-T - FO PCB terminal block



1907911

<https://www.phoenixcontact.com/us/products/1907911>

Technical data

Product properties

Type	FO printed circuit terminal block with transmit diode
Product line	COMBICON Terminals M
Product type	Printed circuit board terminal
Product family	FOPT
Number of positions	1
Pitch	10.16 mm
Number of connections	1
Number of rows	1
Number of potentials	1
Pin layout	Linear pinning
Solder pins per potential	4

Electrical properties

Degree of pollution	3
---------------------	---

Connection data

Conductor connection

Connection method	Push-in spring connection
-------------------	---------------------------

Mounting

Mounting type	Wave soldering
Pin layout	Linear pinning

Material specifications

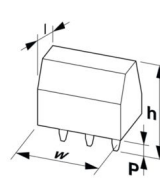
Material data - contact

Note	WEEE/RoHS-compliant, free of whiskers according to IEC 60068-2-82/JEDEC JESD 201
Contact material	Cu alloy

Material data - housing

Color (Housing)	green (6021)
-----------------	--------------

Dimensions

Dimensional drawing	
Pitch	10.16 mm
Width [w]	10.97 mm

FOPT 2,2-T - FO PCB terminal block



1907911

<https://www.phoenixcontact.com/us/products/1907911>

Height [h]	16.6 mm
Length [l]	29.2 mm
Installed height	10.6 mm
Solder pin length [P]	6 mm

PCB design

Hole diameter	0.7 mm
---------------	--------

Environmental and real-life conditions

Ambient conditions

Ambient temperature (operation)	0 °C ... 70 °C
Ambient temperature (storage/transport)	-25 °C ... 85 °C
Relative humidity (storage/transport)	30 % ... 70 %

Packaging specifications

Type of packaging	packed in cardboard
-------------------	---------------------

FOPT 2,2-T - FO PCB terminal block



1907911

<https://www.phoenixcontact.com/us/products/1907911>

Classifications

ECLASS

ECLASS-11.0	27460101
ECLASS-12.0	27460101
ECLASS-13.0	27460101

ETIM

ETIM 9.0	EC002643
----------	----------

UNSPSC

UNSPSC 21.0	39121400
-------------	----------

FOPT 2,2-T - FO PCB terminal block



1907911

<https://www.phoenixcontact.com/us/products/1907911>

Environmental product compliance

China RoHS	Environmentally friendly use period: unlimited = EFUP-e
	No hazardous substances above threshold values

Phoenix Contact 2024 © - all rights reserved
<https://www.phoenixcontact.com>

Phoenix Contact USA
586 Fulling Mill Road
Middletown, PA 17057, United States
(+717) 944-1300
info@phoenixcon.com