

# ZEC 1,5/10-LPV-7,5 C2 - PCB connector



1898457

<https://www.phoenixcontact.com/us/products/1898457>

Please be informed that the data shown in this PDF document is generated from our online catalog. Please find the complete data in the user documentation. Our general terms of use for downloads are valid.



PCB connector, nominal cross section: 1.5 mm<sup>2</sup>, color: green, nominal current: 10 A, rated voltage (III/2): 630 V, contact surface: Tin, contact connection type: Socket, number of potentials: 10, number of rows: 1, number of positions: 10, number of connections: 10, product range: ZEC 1,5/..-LPV, pitch: 7.5 mm, mounting: Direct plug-in method, conductor/PCB connection direction: 0 °, number of solder pins per potential: 2, plug-in system: ZEC, locking: without, mounting: without, type of packaging: packed in cardboard

## Your advantages

- Easy component connection
- Inexpensive direct plug-in connection with just one component

## Commercial data

|                                      |               |
|--------------------------------------|---------------|
| Item number                          | 1898457       |
| Packing unit                         | 50 pc         |
| Minimum order quantity               | 50 pc         |
| Sales key                            | AA03          |
| Product key                          | AACEBA        |
| GTIN                                 | 4017918167165 |
| Weight per piece (including packing) | 11.47 g       |
| Weight per piece (excluding packing) | 10.889 g      |
| Customs tariff number                | 85366930      |
| Country of origin                    | GR            |

# ZEC 1,5/10-LPV-7,5 C2 - PCB connector



1898457

<https://www.phoenixcontact.com/us/products/1898457>

## Technical data

### Product properties

|                           |                       |
|---------------------------|-----------------------|
| Type                      | PCB connector         |
| Product line              | COMBICON Connectors M |
| Product type              | PCB connector         |
| Product family            | ZEC 1,5/...-LPV       |
| Number of positions       | 10                    |
| Pitch                     | 7.5 mm                |
| Number of connections     | 10                    |
| Number of rows            | 1                     |
| Mounting flange           | without               |
| Number of potentials      | 10                    |
| Solder pins per potential | 2                     |

### Electrical properties

|                             |                |
|-----------------------------|----------------|
| Nominal current $I_N$       | 10 A           |
| Nominal voltage $U_N$       | 630 V          |
| Degree of pollution         | 3              |
| Contact resistance          | 1.2 m $\Omega$ |
| Rated voltage (III/3)       | 400 V          |
| Rated surge voltage (III/3) | 6 kV           |
| Rated voltage (III/2)       | 630 V          |
| Rated surge voltage (III/2) | 6 kV           |
| Rated voltage (II/2)        | 1000 V         |
| Rated surge voltage (II/2)  | 6 kV           |

### Mounting

|               |                       |
|---------------|-----------------------|
| Mounting type | Direct plug-in method |
|---------------|-----------------------|

### Material specifications

#### Material data - contact

|  |  |
|--|--|
| Note                                   | WEEE/RoHS-compliant, free of whiskers according to IEC 60068-2-82/JEDEC JESD 201 |
| Contact material                       | Cu alloy   |
| Surface characteristics                | hot-dip tin-plated   |
| Metal surface contact area (top layer) | Tin (4 - 8 $\mu$ m Sn)   |

#### Material data - housing

|  |              |
|--|--------------|
| Color (Housing)                        | green (6021) |
| Insulating material                    | PA           |
| Insulating material group              | I            |
| CTI according to IEC 60112             | 600          |
| Flammability rating according to UL 94 | V0           |

# ZEC 1,5/10-LPV-7,5 C2 - PCB connector



1898457

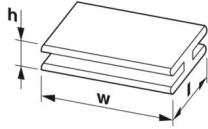
<https://www.phoenixcontact.com/us/products/1898457>

|   |        |
|---|--------|
| Glow wire flammability index GWFI according to EN 60695-2-12      | 850    |
| Glow wire ignition temperature GWIT according to EN 60695-2-13    | 775    |
| Temperature for the ball pressure test according to EN 60695-10-2 | 125 °C |

## Notes

|                    |  |
|--------------------|--|
| Notes on operation | In accordance with IEC 61984, COMBICON connectors have no switching power (COC). During designated use, they must not be plugged in or disconnected when carrying voltage or under load. |
|--------------------|--|

## Dimensions

|                     |  |
|---------------------|--|
| Dimensional drawing |  |
| Pitch               | 7.5 mm   |
| Width [w]           | 76.4 mm  |
| Height [h]          | 7 mm   |
| Length [l]          | 22.9 mm  |
| Installed height    | 7 mm   |

## Mechanical tests

### Insertion and withdrawal forces

|                                     |             |
|-------------------------------------|-------------|
| Result                              | Test passed |
| No. of cycles                       | 20          |
| Insertion strength per pos. approx. | 6 N         |
| Withdraw strength per pos. approx.  | 3 N         |

### Resistance of inscriptions

|               |                        |
|---------------|------------------------|
| Specification | IEC 60068-2-70:1995-12 |
| Result        | Test passed            |

### Visual inspection

|               |                     |
|---------------|---------------------|
| Specification | IEC 60512-2:1985-00 |
| Result        | Test passed         |

### Dimension check

|               |                     |
|---------------|---------------------|
| Specification | IEC 60512-2:1985-00 |
| Result        | Test passed         |

## Electrical tests

### Air clearances and creepage distances |

|               |                     |
|---------------|---------------------|
| Specification | IEC 60664-1:2007-04 |
|---------------|---------------------|

# ZEC 1,5/10-LPV-7,5 C2 - PCB connector



1898457

<https://www.phoenixcontact.com/us/products/1898457>

|  |         |
|--|---------|
| Insulating material group                              | I       |
| Comparative tracking index (IEC 60112)                 | CTI 600 |
| Rated insulation voltage (III/3)                       | 400 V   |
| Rated surge voltage (III/3)                            | 6 kV    |
| minimum clearance value - non-homogenous field (III/3) | 5.5 mm  |
| minimum creepage distance (III/3)                      | 5.5 mm  |
| Rated insulation voltage (III/2)                       | 630 V   |
| Rated surge voltage (III/2)                            | 6 kV    |
| minimum clearance value - non-homogenous field (III/2) | 5.5 mm  |
| minimum creepage distance (III/2)                      | 5.5 mm  |
| Rated insulation voltage (II/2)                        | 1000 V  |
| Rated surge voltage (II/2)                             | 6 kV    |
| minimum clearance value - non-homogenous field (II/2)  | 5.5 mm  |
| minimum creepage distance (II/2)                       | 5.5 mm  |

## Environmental and real-life conditions

### Vibration test

|                        |                             |
|------------------------|-----------------------------|
| Specification          | IEC 60068-2-6:1995-03       |
| Frequency              | 10 - 150 - 10 Hz            |
| Sweep speed            | 1 octave/min                |
| Amplitude              | 0.35 mm (10 Hz ... 60.1 Hz) |
| Sweep speed            | 5g (60.1 Hz ... 150 Hz)     |
| Test duration per axis | 2.5 h                       |

### Durability test

|                                   |                     |
|-----------------------------------|---------------------|
| Specification                     | IEC 60512-5:1992-08 |
| Contact resistance R <sub>1</sub> | 1.2 mΩ              |
| Contact resistance R <sub>2</sub> | 1.5 mΩ              |
| Insertion/withdrawal cycles       | 20                  |

### Climatic test

|                                   |   |
|-----------------------------------|---|
| Specification                     | ISO 6988:1985-02  |
| Corrosive stress                  | 0.2 dm <sup>3</sup> SO <sub>2</sub> on 300 dm <sup>3</sup> /40 °C/1 cycle |
| Thermal stress                    | 100 °C/168 h  |
| Power-frequency withstand voltage | 3.31 kV   |

### Ambient conditions

|   |   |
|---|---|
| Ambient temperature (operation)         | -40 °C ... 100 °C (dependent on the derating curve) |
| Ambient temperature (storage/transport) | -40 °C ... 70 °C                                    |
| Relative humidity (storage/transport)   | 30 % ... 70 %                                       |
| Ambient temperature (assembly)          | -5 °C ... 100 °C                                    |

## Packaging specifications

|                   |                     |
|-------------------|---------------------|
| Type of packaging | packed in cardboard |
|-------------------|---------------------|

# ZEC 1,5/10-LPV-7,5 C2 - PCB connector



1898457

<https://www.phoenixcontact.com/us/products/1898457>

## Classifications

### ECLASS

|             |          |
|-------------|----------|
| ECLASS-11.0 | 27460201 |
| ECLASS-12.0 | 27460201 |
| ECLASS-13.0 | 27460201 |

### ETIM

|          |          |
|----------|----------|
| ETIM 9.0 | EC002637 |
|----------|----------|

### UNSPSC

|             |          |
|-------------|----------|
| UNSPSC 21.0 | 39121400 |
|-------------|----------|

# ZEC 1,5/10-LPV-7,5 C2 - PCB connector



1898457

<https://www.phoenixcontact.com/us/products/1898457>

## Environmental product compliance

|            |   |
|------------|---|
| China RoHS | Environmentally friendly use period: unlimited = EFUP-e |
|            | No hazardous substances above threshold values          |

Phoenix Contact 2024 © - all rights reserved  
<https://www.phoenixcontact.com>

Phoenix Contact USA  
586 Fulling Mill Road  
Middletown, PA 17057, United States  
(+717) 944-1300  
[info@phoenixcon.com](mailto:info@phoenixcon.com)