

MCC-MT 0,2-0,35 - Crimp contact



1859988

<https://www.phoenixcontact.com/us/products/1859988>

Please be informed that the data shown in this PDF document is generated from our online catalog. Please find the complete data in the user documentation. Our general terms of use for downloads are valid.



Female contact, is inserted into the plug after crimping the conductor, for the module plug housing MCC 1...-STZ-3,81 and MCC 1...-STZF-3,81, for cross sections of 0.2 mm² to 0.34 mm²

Commercial data

Item number	1859988
Packing unit	100 pc
Minimum order quantity	100 pc
Sales key	AA02
Product key	AABCAD
Catalog page	Page 827 (C-1-2013)
GTIN	4017918109721
Weight per piece (including packing)	0.33 g
Weight per piece (excluding packing)	0.33 g
Customs tariff number	85366990
Country of origin	DE

MCC-MT 0,2-0,35 - Crimp contact



1859988

<https://www.phoenixcontact.com/us/products/1859988>

Technical data

Product properties

Product type	Crimp contact
Product family	MCC-MT
Pitch	0 mm

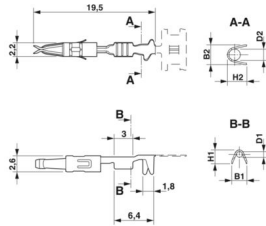
Connection data

Connection method	Crimp connection
Contact connection type	Socket
Stripping length of the individual wire	4 mm
Stripping length	4 mm ... 4.1 mm
Conductor cross section flexible	0.2 mm ² ... 0.34 mm ²
Conductor cross section AWG	24 ... 22

Material specifications

Contact surface	Tin Sn
Contact surface material	Tin
Metal surface contact area (top layer)	Tin Sn)

Dimensions

Dimensional drawing	
Pitch	0 mm

Electrical properties

Nominal current I_N	4 A
-----------------------	-----

Packaging specifications

Type of packaging	Bulk goods
-------------------	------------

MCC-MT 0,2-0,35 - Crimp contact



1859988

<https://www.phoenixcontact.com/us/products/1859988>

Classifications

ECLASS

ECLASS-11.0	27460403
ECLASS-12.0	27460403
ECLASS-13.0	27460403

ETIM

ETIM 9.0	EC000796
----------	----------

UNSPSC

UNSPSC 21.0	39121500
-------------	----------

MCC-MT 0,2-0,35 - Crimp contact



1859988

<https://www.phoenixcontact.com/us/products/1859988>

Environmental product compliance

China RoHS	Environmentally friendly use period: unlimited = EFUP-e
	No hazardous substances above threshold values

Phoenix Contact 2024 © - all rights reserved
<https://www.phoenixcontact.com>

Phoenix Contact USA
586 Fulling Mill Road
Middletown, PA 17057, United States
(+717) 944-1300
info@phoenixcon.com