

# VC-K-T4-R-M25 - Sleeve housing



1855133

<https://www.phoenixcontact.com/us/products/1855133>

Please be informed that the data shown in this PDF document is generated from our online catalog. Please find the complete data in the user documentation. Our general terms of use for downloads are valid.



Sleeve housing, Range of articles: VARIOCON, design: VC4, housing material: Polyamide, color: gray. When using fiber optics, the bending radii of the cable manufacturers must be observed.

## Commercial data

Item number	1855133
Packing unit	5 pc
Minimum order quantity	5 pc
Sales key	AB01
Product key	ABLAAA
Catalog page	Page 35 (C-2-2013)
GTIN	4017918970888
Weight per piece (including packing)	86.3 g
Weight per piece (excluding packing)	82.42 g
Customs tariff number	85389099
Country of origin	PL

## Technical data

### Notes

General	When using fiber optics, the bending radii of the cable manufacturers must be observed.
Safety note	<p data-bbox="847 645 1449 730">WARNING: The connectors may not be plugged in or disconnected under load. Ignoring the warning or improper use may damage persons and/or property.</p> <ul data-bbox="847 745 1469 2130" style="list-style-type: none"><li data-bbox="847 745 1469 857">• WARNING: Commission properly functioning products only. The products must be regularly inspected for damage. Decommission defective products immediately. Replace damaged products. Repairs are not possible.</li><li data-bbox="847 873 1469 1070">• WARNING: Only electrically qualified personnel may install and operate the product. They must observe the following safety notes. The qualified personnel must be familiar with the basics of electrical engineering. They must be able to recognize and prevent danger. The relevant symbol on the packaging indicates that only personnel familiar with electrical engineering are allowed to install and operate the product.</li><li data-bbox="847 1086 1469 1137">• The products are suitable for applications in plant, controller, and electrical device engineering.</li><li data-bbox="847 1153 1469 1205">• When operating the connectors in outdoor applications, they must be separately protected against environmental influences.</li><li data-bbox="847 1220 1469 1272">• Assembled products may not be manipulated or improperly opened.</li><li data-bbox="847 1288 1469 1373">• Only use mating connectors that are specified in the technical data of the standards listed (e.g. the ones listed in the product accessories online at <a href="https://www.phoenixcontact.com/products">phoenixcontact.com/products</a>).</li><li data-bbox="847 1388 1469 1440">• When using the product in direct connection with third-party manufacturers, the user is responsible.</li><li data-bbox="847 1456 1469 1507">• For operating voltages &gt; 50 V AC, conductive connector housings must be grounded</li><li data-bbox="847 1523 1469 1574">• Ensure that the protective or functional ground has been properly connected.</li><li data-bbox="847 1590 1469 1675">• VDE 0100/1.97 § 411.1.3.2 and DIN EN 60 204/11.98 § 14.1.3 are applicable when combining several circuits in a cable and/or connector</li><li data-bbox="847 1691 1469 1865">• Observe the corresponding technical data. You will find information:<ul data-bbox="847 1747 1469 1865" style="list-style-type: none"><li data-bbox="847 1747 1469 1776">o On the product</li><li data-bbox="847 1776 1469 1805">o On the packing label</li><li data-bbox="847 1805 1469 1834">o In the supplied documentation</li><li data-bbox="847 1834 1469 1865">o Online at <a href="https://www.phoenixcontact.com/products">phoenixcontact.com/products</a> under the product</li></ul></li><li data-bbox="847 1881 1469 1910">• Only use tools recommended by Phoenix Contact</li><li data-bbox="847 1926 1469 2011">• The installation notes/Design In documents online on the download page at <a href="https://www.phoenixcontact.com/products">phoenixcontact.com/products</a> must be observed for this product.</li><li data-bbox="847 2027 1469 2101">• Use a protective cap to protect connectors that are not in use. The suitable accessories are available online in the accessory section of the product at <a href="https://www.phoenixcontact.com/products">phoenixcontact.com/products</a></li><li data-bbox="847 2116 1469 2130">• Operate the connector only when it is fully plugged in.</li></ul>

# VC-K-T4-R-M25 - Sleeve housing

1855133

<https://www.phoenixcontact.com/us/products/1855133>

	<ul style="list-style-type: none"><li>• Ensure that when laying the cable, the tensile load on the connectors does not exceed the upper limit specified in the standards.</li></ul>
	<ul style="list-style-type: none"><li>• Observe the minimum bending radius of the cable. Lay the cable without twisting it.</li></ul>
	<ul style="list-style-type: none"><li>• The connector warms up in normal operation. Depending on the ambient conditions, the surface of the connector can continue to warm up. In this case, the user is responsible for posting warnings (e.g. DIN EN ISO 13732-1:2008-12).</li></ul>

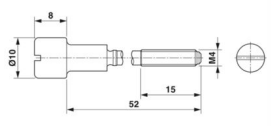
## Product properties

Type	VC4
Product type	Sleeve housings
Product family	VARIOCON
No. of cable outlets	1
Type of the screw connection	M25
Fixing screws	M4
Shielded	no
Cable outlet	angled

## Connection data

Tightening torque	1.2 ... 1.8 Nm
-------------------	----------------

## Dimensions

Dimensional drawing	
Width	33 mm
Height	75 mm
Length	111 mm

## Material specifications

Color	gray
Color of the housing part	gray
Material	Polyamide
Flammability rating according to UL 94	V0
Seal material	EPDM
	NBR
O-ring material	NBR
Material of locking screw	Brass, nickel-plated
Housing material	Polyamide

## Mechanical properties

### Mechanical data

# VC-K-T4-R-M25 - Sleeve housing



1855133

<https://www.phoenixcontact.com/us/products/1855133>

Type of the screw connection	M25
Locking type	Screw

## Environmental and real-life conditions

### Ambient conditions

Degree of protection	IP66 (DIN IEC 60529)
	IP66
Ambient temperature (operation)	-40 °C ... 80 °C

## Mounting

Fixing screws	M4
---------------	----

# VC-K-T4-R-M25 - Sleeve housing



1855133

<https://www.phoenixcontact.com/us/products/1855133>

## Classifications

### ECLASS

ECLASS-11.0	27440202
ECLASS-12.0	27440202
ECLASS-13.0	27440202

### ETIM

ETIM 9.0	EC000437
----------	----------

### UNSPSC

UNSPSC 21.0	31261500
-------------	----------

# VC-K-T4-R-M25 - Sleeve housing



1855133

<https://www.phoenixcontact.com/us/products/1855133>

## Environmental product compliance

China RoHS	Environmentally friendly use period: unlimited = EFUP-e No hazardous substances above threshold values
------------	---

Phoenix Contact 2024 © - all rights reserved  
<https://www.phoenixcontact.com>

Phoenix Contact USA  
586 Fulling Mill Road  
Middletown, PA 17057, United States  
(+717) 944-1300  
[info@phoenixcon.com](mailto:info@phoenixcon.com)