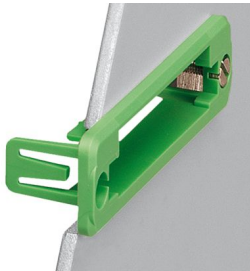


IC-DFR 6 - Accessories

1852066

<https://www.phoenixcontact.com/us/products/1852066>

Please be informed that the data shown in this PDF document is generated from our online catalog. Please find the complete data in the user documentation. Our general terms of use for downloads are valid.



Panel mounting frame, nominal cross section: 2.5 mm², color: green, number of potentials: 6, number of rows: 1, number of positions: 6, number of connections: 6, product range: IC-DFR, pitch: 5.08 mm, type of packaging: packed in cardboard, This assembly frame can only be used in combination with IC 2,5/...-STGF-5,08

Your advantages

- Feed-through assembly frame for inverted COMBICON connector IC 2,5/-STGF-5,08
- Cable connection on the inside of the device enables flexible positioning of the panel feed-through
- Mounting flanges reduce the mechanical strain on the soldering spots
- Can be combined with the MSTB 2,5 range

Commercial data

Item number	1852066
Packing unit	50 pc
Minimum order quantity	50 pc
Sales key	AA08
Product key	AAHZBE
Catalog page	Page 350 (C-1-2013)
GTIN	4017918108946
Weight per piece (including packing)	2.12 g
Weight per piece (excluding packing)	2.09 g
Customs tariff number	39269097
Country of origin	PL

Technical data

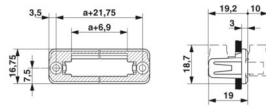
Product properties

Type	Feed-through assembly frame
Product line	COMBICON Connectors Special
Product type	Panel mounting frame
Product family	IC-DFR
Number of positions	6
Pitch	5.08 mm
Number of connections	6
Number of rows	1
Number of potentials	6

Electrical properties

Degree of pollution	3
---------------------	---

Dimensions

Dimensional drawing	
Pitch	5.08 mm
Width [w]	54.15 mm
Height [h]	16.75 mm
Length [l]	19 mm

Material specifications

Material data - housing

Color (Housing)	green (6021)
Insulating material	PA
Insulating material group	I
CTI according to IEC 60112	600
Flammability rating according to UL 94	V0
Glow wire flammability index GWFI according to EN 60695-2-12	850
Glow wire ignition temperature GWIT according to EN 60695-2-13	775
Temperature for the ball pressure test according to EN 60695-10-2	125 °C

Connector

Connection 1

IC-DFR 6 - Accessories



1852066

<https://www.phoenixcontact.com/us/products/1852066>

Insulating material	PA
CTI according to IEC 60112	600

Packaging specifications

Type of packaging	packed in cardboard
-------------------	---------------------

IC-DFR 6 - Accessories



1852066

<https://www.phoenixcontact.com/us/products/1852066>

Classifications

ECLASS

ECLASS-11.0	27460405
ECLASS-13.0	27460405
ECLASS-12.0	27460405

ETIM

ETIM 9.0	EC002943
----------	----------

UNSPSC

UNSPSC 21.0	39121400
-------------	----------

IC-DFR 6 - Accessories



1852066

<https://www.phoenixcontact.com/us/products/1852066>

Environmental product compliance

China RoHS	Environmentally friendly use period: unlimited = EFUP-e No hazardous substances above threshold values
------------	---

Phoenix Contact 2024 © - all rights reserved
<https://www.phoenixcontact.com>

Phoenix Contact USA
586 Fulling Mill Road
Middletown, PA 17057, United States
(+717) 944-1300
info@phoenixcon.com