

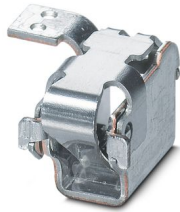
PV-PTSPL-W/1L - Single contact



1705625

<https://www.phoenixcontact.com/us/products/1705625>

Please be informed that the data shown in this PDF document is generated from our online catalog. Please find the complete data in the user documentation. Our general terms of use for downloads are valid.



Single contact, Range of articles: SUNCLIX, design: Circular conductor connection, single-pos., Connection method: Push-in spring connection

Commercial data

Item number	1705625
Packing unit	250 pc
Minimum order quantity	250 pc
Sales key	AB02
Product key	ABLBZC
Catalog page	Page 429 (C-2-2013)
GTIN	4046356789226
Weight per piece (including packing)	1.74 g
Weight per piece (excluding packing)	1.7 g
Customs tariff number	85389099
Country of origin	DE

PV-PTSPL-W/1L - Single contact



1705625

<https://www.phoenixcontact.com/us/products/1705625>

Technical data

Product properties

Type	Circular conductor connection, single-pos.
Product type	Printed circuit board terminal
Product family	SUNCLIX

Material specifications

Contact material	Cu
Contact surface material	Sn

Notes

Safety note

Safety note	<ul style="list-style-type: none">• WARNING: Commission properly functioning products only. The products must be regularly inspected for damage. Decommission defective products immediately. Replace damaged products. Repairs are not possible.• WARNING: Only electrically qualified personnel may install and operate the product. They must observe the following safety notes. The qualified personnel must be familiar with the basics of electrical engineering. They must be able to recognize and prevent danger. The relevant symbol on the packaging indicates that only personnel familiar with electrical engineering are allowed to install and operate the product.• WARNING: The connectors may not be plugged in or disconnected under load. Ignoring the warning or improper use may damage persons and/or property.• The products are suitable for applications in plant, controller, and electrical device engineering.• Assembled products may not be manipulated or improperly opened.• Only use mating connectors that are specified in the technical data of the standards listed (e.g. the ones listed in the product accessories online at phoenixcontact.com/products).• When using the product in direct connection with third-party manufacturers, the user is responsible.• For operating voltages > 50 V AC, conductive connector housings must be grounded• Ensure that the protective or functional ground has been properly connected.• Observe the corresponding technical data. You will find information:<ul style="list-style-type: none">o On the producto On the packing labelo In the supplied documentationo Online at phoenixcontact.com/products under the product• The installation notes/Design In documents online on the download page at phoenixcontact.com/products must be observed for this product.• Use a protective cap to protect connectors that are not in use.
-------------	--

PV-PTSPL-W/1L - Single contact

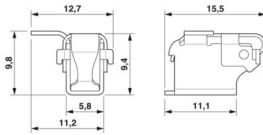


1705625

<https://www.phoenixcontact.com/us/products/1705625>

	The suitable accessories are available online in the accessory section of the product at phoenixcontact.com/products
	• The connector warms up in normal operation. Depending on the ambient conditions, the surface of the connector can continue to warm up. In this case, the user is responsible for posting warnings (e.g. DIN EN ISO 13732-1:2008-12).
	• Operate the connector only when it is fully plugged in and interlocked.
	• Ensure that when laying the cable, the tensile load on the connectors does not exceed the upper limit specified in the standards.
	• Observe the minimum bending radius of the cable. Lay the cable without twisting it.

Dimensions

Dimensional drawing	
Width	12.7 mm
Height	9.8 mm
Length	15.5 mm
Hole diameter	1.3 mm

Environmental and real-life conditions

Ambient conditions

Ambient temperature (operation)	-40 °C (Depending on the current carrying capacity/derating curve)
Ambient temperature (storage/transport)	-40 °C ... 70 °C
Ambient temperature (assembly)	-5 °C ... 100 °C

PV-PTSPL-W/1L - Single contact



1705625

<https://www.phoenixcontact.com/us/products/1705625>

Classifications

ECLASS

ECLASS-11.0	27440204
ECLASS-12.0	27440204
ECLASS-13.0	27440204

ETIM

ETIM 9.0	EC000796
----------	----------

UNSPSC

UNSPSC 21.0	39121500
-------------	----------

PV-PTSPL-W/1L - Single contact



1705625

<https://www.phoenixcontact.com/us/products/1705625>

Environmental product compliance

China RoHS	Environmentally friendly use period: unlimited = EFUP-e
	No hazardous substances above threshold values

Phoenix Contact 2024 © - all rights reserved
<https://www.phoenixcontact.com>

Phoenix Contact USA
586 Fulling Mill Road
Middletown, PA 17057, United States
(+717) 944-1300
info@phoenixcon.com