

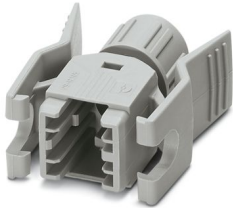
VS-08-T-RJ45/IP 20 - RJ45 sleeve housings



1688638

<https://www.phoenixcontact.com/us/products/1688638>

Please be informed that the data shown in this PDF document is generated from our online catalog. Please find the complete data in the user documentation. Our general terms of use for downloads are valid.



RJ45 sleeve housing IP20, for pin insert VS-08-ST-RJ45, with push-pull interlocking for panel mounting frames, for cable cross section 5.0 mm ... 6.5 mm

Commercial data

Item number	1688638
Packing unit	5 pc
Minimum order quantity	5 pc
Sales key	AB10
Product key	ABNAAZ
Catalog page	Page 168 (PC-2007)
GTIN	4017918607920
Weight per piece (including packing)	5.85 g
Weight per piece (excluding packing)	5.85 g
Customs tariff number	85389099
Country of origin	DE

VS-08-T-RJ45/IP 20 - RJ45 sleeve housings

1688638

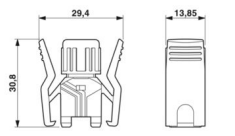
<https://www.phoenixcontact.com/us/products/1688638>

Technical data

Product properties

Type	RJ45
Product type	Sleeve housings
No. of cable outlets	1
Cable outlet	straight

Dimensions

Dimensional drawing	
Width	29.4 mm
Height	13.8 mm
Length	30.1 mm

Material specifications

Color	gray
Flammability rating according to UL 94	V0
Housing material	PA

Cable/line

External cable diameter ()	5 mm ... 6 mm
-----------------------------	---------------

Mechanical properties

Mechanical data

Insertion/withdrawal cycles	≥ 750
-----------------------------	-------

Environmental and real-life conditions

Ambient conditions

Degree of protection	IP20
Ambient temperature (operation)	-40 °C ... 80 °C

VS-08-T-RJ45/IP 20 - RJ45 sleeve housings



1688638

<https://www.phoenixcontact.com/us/products/1688638>

Classifications

ECLASS

ECLASS-11.0	27440202
ECLASS-12.0	27440202
ECLASS-13.0	27440224

ETIM

ETIM 9.0	EC000437
----------	----------

UNSPSC

UNSPSC 21.0	31261500
-------------	----------

VS-08-T-RJ45/IP 20 - RJ45 sleeve housings



1688638

<https://www.phoenixcontact.com/us/products/1688638>

Environmental product compliance

China RoHS	Environmentally friendly use period: unlimited = EFUP-e
	No hazardous substances above threshold values

Phoenix Contact 2024 © - all rights reserved
<https://www.phoenixcontact.com>

Phoenix Contact USA
586 Fulling Mill Road
Middletown, PA 17057, United States
(+717) 944-1300
info@phoenixcon.com