

VS-BU-LK-3,6/22,8/4,6 - Contact insert



1688272

<https://www.phoenixcontact.com/us/products/1688272>

Please be informed that the data shown in this PDF document is generated from our online catalog. Please find the complete data in the user documentation. Our general terms of use for downloads are valid.



Power contacts, for D-SUB combination inserts, socket, solder cup, straight, rated current 40 A, gold-plated

Commercial data

Item number	1688272
Packing unit	100 pc
Minimum order quantity	100 pc
Sales key	AB19
Product key	ABNCAC
Catalog page	Page 447 (C-2-2019)
GTIN	4017918179670
Weight per piece (including packing)	1.927 g
Weight per piece (excluding packing)	1.9 g
Customs tariff number	85366990
Country of origin	DE

VS-BU-LK-3,6/22,8/4,6 - Contact insert



1688272

<https://www.phoenixcontact.com/us/products/1688272>

Technical data

Notes

General	Power contacts must be ordered separately since they are not included in the scope of supply of the contact carriers.
---------	-----------------------------------------------------------------------------------------------------------------------

Product properties

Product type	Contacts
Type	Individual female contact
Contact material type	turned

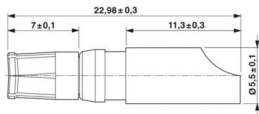
Electrical properties

Maximum load current	40 A
Rated surge voltage	1 kV
Rated current	40 A (at 20 °C)
Insulation resistance	≥ 5 GΩ
Test voltage	1000 V

Connection data

Maximum load current	40 A
Connection method	Solder cup

Dimensions

Dimensional drawing	
Width	5.5 mm
Height	5.5 mm
Length	23 mm

Mechanical characteristics

Contact diameter	4.6 mm
------------------	--------

Material specifications

Material	Metal
Contact material	Copper alloy
Contact surface material	Au/Sn

Mechanical properties

Mechanical data

Insertion/withdrawal cycles	≥ 500
Insertion force per signal contact	≤ 7.00 N

VS-BU-LK-3,6/22,8/4,6 - Contact insert



1688272

<https://www.phoenixcontact.com/us/products/1688272>

Extraction force per signal contact	approx. 5 N
-------------------------------------	-------------

Environmental and real-life conditions

Ambient conditions

Ambient temperature (operation)	-55 °C ... 130 °C
---------------------------------	-------------------

Mounting

Mounting type	Solder connection
---------------	-------------------

VS-BU-LK-3,6/22,8/4,6 - Contact insert



1688272

<https://www.phoenixcontact.com/us/products/1688272>

Classifications

ECLASS

ECLASS-11.0	27440223
ECLASS-12.0	27440223
ECLASS-13.0	27440204

ETIM

ETIM 9.0	EC003557
----------	----------

UNSPSC

UNSPSC 21.0	39121400
-------------	----------

VS-BU-LK-3,6/22,8/4,6 - Contact insert



1688272

<https://www.phoenixcontact.com/us/products/1688272>

Environmental product compliance

REACH SVHC	Lead 7439-92-1
China RoHS	Environmentally Friendly Use Period = 50 years
	For information on hazardous substances, refer to the manufacturer's declaration available under "Downloads"

Phoenix Contact 2024 © - all rights reserved

<https://www.phoenixcontact.com>

Phoenix Contact USA
586 Fulling Mill Road
Middletown, PA 17057, United States
(+717) 944-1300
info@phoenixcon.com