

HC-M-PN3-1,60-ST - Pneumatic contact



1663488

<https://www.phoenixcontact.com/us/products/1663488>

Please be informed that the data shown in this PDF document is generated from our online catalog. Please find the complete data in the user documentation. Our general terms of use for downloads are valid.

Pneumatic pin, for HC-M-PN3 module, internal hose diameter of 1.6 mm



Commercial data

Item number	1663488
Packing unit	10 pc
Minimum order quantity	10 pc
Sales key	BF62
Product key	BF7ACZ
Catalog page	Page 593 (C-2-2019)
GTIN	4017918123291
Weight per piece (including packing)	0.93 g
Weight per piece (excluding packing)	0.94 g
Customs tariff number	39174000
Country of origin	US

HC-M-PN3-1,60-ST - Pneumatic contact



1663488

<https://www.phoenixcontact.com/us/products/1663488>

Technical data

Product properties

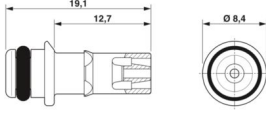
Product type	Pneumatic contact
Type	Individual male contact
Integrated valve	No
Series	HC-M-03-PN

Connection data

Connection technology

Connection technology	Hose connection
-----------------------	-----------------

Dimensions

Dimensional drawing	
Width	8.2 mm
Height	8.2 mm
Depth	19.2 mm
Diameter	1.6 mm

Mechanical characteristics

Internal diameter of pressure hose connection	1.6 mm
Contact diameter	5.2 mm

Material specifications

Material Valve	Polypropylene
Seal material	Buna-N
Contact material	Delrin acetal

Mechanical properties

Mechanical data

Insertion/withdrawal cycles	≥ 500
-----------------------------	-------

Characteristics

Operating pressure	8.00 bar
--------------------	----------

Environmental and real-life conditions

Ambient conditions

Ambient temperature (operation)	-40 °C ... 80 °C
---------------------------------	------------------

HC-M-PN3-1,60-ST - Pneumatic contact



1663488

<https://www.phoenixcontact.com/us/products/1663488>

Classifications

ECLASS

ECLASS-11.0	27440204
ECLASS-12.0	27440204
ECLASS-13.0	27440204

ETIM

ETIM 9.0	EC000796
----------	----------

UNSPSC

UNSPSC 21.0	39121500
-------------	----------

HC-M-PN3-1,60-ST - Pneumatic contact



1663488

<https://www.phoenixcontact.com/us/products/1663488>

Environmental product compliance

China RoHS	Environmentally friendly use period: unlimited = EFUP-e
	No hazardous substances above threshold values

Phoenix Contact 2024 © - all rights reserved
<https://www.phoenixcontact.com>

Phoenix Contact USA
586 Fulling Mill Road
Middletown, PA 17057, United States
(+717) 944-1300
info@phoenixcon.com