

HC-B 24-ADP-B 6-GY - Adapter plate



1660407

<https://www.phoenixcontact.com/us/products/1660407>

Please be informed that the data shown in this PDF document is generated from our online catalog. Please find the complete data in the user documentation. Our general terms of use for downloads are valid.

HEAVYCON adapter plate, type B24 on B6, for panel cutouts of type B24, gray



Commercial data

Item number	1660407
Packing unit	10 pc
Minimum order quantity	10 pc
Sales key	BF66
Product key	BF7AZD
Catalog page	Page 648 (C-4-2015)
GTIN	4017918022044
Weight per piece (including packing)	37.98 g
Weight per piece (excluding packing)	37.98 g
Customs tariff number	39269097
Country of origin	DE

HC-B 24-ADP-B 6-GY - Adapter plate

1660407

<https://www.phoenixcontact.com/us/products/1660407>

Technical data

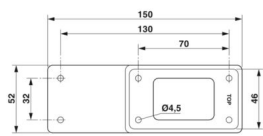
Notes

General	For panel cutouts of type B24, cannot be used for panel mounting bases having a pre-mounted protective cover
---------	--

Product properties

Type	B24
Product type	Adapter plate

Dimensions

Dimensional drawing	
Width	52 mm
Height	7 mm
Length	150 mm
Drill hole distance, horizontal	130 mm
Drill hole distance, vertical	27 mm
Hole diameter	4.5 mm

Installation dimensions

Width of the assembly cutout	36 mm
Length of the assembly cutout	113 mm

Material specifications

Color	gray
Material	PA
Flammability rating according to UL 94	HB
Seal material	PTS

Environmental and real-life conditions

Ambient conditions

Degree of protection	IP54
Ambient temperature (operation)	-20 °C ... 100 °C

Mounting

Assembly instructions	Cannot be used in panel mounting bases having a pre-mounted cover
-----------------------	---

HC-B 24-ADP-B 6-GY - Adapter plate



1660407

<https://www.phoenixcontact.com/us/products/1660407>

Classifications

ECLASS

ECLASS-11.0	27440201
ECLASS-12.0	27440201
ECLASS-13.0	27440201

ETIM

ETIM 9.0	EC002309
----------	----------

UNSPSC

UNSPSC 21.0	31261500
-------------	----------

HC-B 24-ADP-B 6-GY - Adapter plate



1660407

<https://www.phoenixcontact.com/us/products/1660407>

Environmental product compliance

China RoHS	Environmentally friendly use period: unlimited = EFUP-e
	No hazardous substances above threshold values

Phoenix Contact 2024 © - all rights reserved
<https://www.phoenixcontact.com>

Phoenix Contact USA
586 Fulling Mill Road
Middletown, PA 17057, United States
(+717) 944-1300
info@phoenixcon.com