

VS-08-A-RJ45/MOD-1-R-IP67 BK - Panel mounting frames



1658053

<https://www.phoenixcontact.com/us/products/1658053>

Please be informed that the data shown in this PDF document is generated from our online catalog. Please find the complete data in the user documentation. Our general terms of use for downloads are valid.



RJ45 panel mounting frame, IP67, for modular socket inserts (Keystone), for round panel cutout, with grommet, with thread and union nut, color: black

Commercial data

Item number	1658053
Packing unit	5 pc
Minimum order quantity	5 pc
Sales key	AB17
Product key	ABNNDB
Catalog page	Page 351 (C-2-2019)
GTIN	4046356144346
Weight per piece (including packing)	9.74 g
Weight per piece (excluding packing)	9.74 g
Customs tariff number	85389099
Country of origin	DE

VS-08-A-RJ45/MOD-1-R-IP67 BK - Panel mounting frames



1658053

<https://www.phoenixcontact.com/us/products/1658053>

Technical data

Product properties

Type	Version 6
Product type	Panel mounting frame
Connection profile	RJ45
Application	Modular insert
Number of slots	1
Type	RJ45

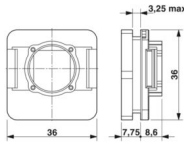
Insulation characteristics

Degree of pollution	2
---------------------	---

Electrical properties

Transmission medium	Copper
---------------------	--------

Dimensions

Dimensional drawing	
Width	36 mm
Height	36 mm
Depth	16.5 mm
Length	16.4 mm

Material specifications

Color	black
Material	Plastic
Flammability rating according to UL 94	V0
Seal material	NBR
Seal material, flat gasket	NBR
Housing surface material	PA, light gray
Contact surface material	Au/Ni
Contact carrier material	Polyester GF
Housing material	Plastic

Mechanical properties

Mechanical data

Insertion/withdrawal cycles	≥ 1000
-----------------------------	--------

Environmental and real-life conditions

VS-08-A-RJ45/MOD-1-R-IP67 BK - Panel mounting frames



1658053

<https://www.phoenixcontact.com/us/products/1658053>

Ambient conditions

Degree of protection	IP65/IP67
Ambient temperature (operation)	-20 °C ... 70 °C
Ambient temperature (storage/transport)	-40 °C ... 70 °C
Ambient temperature (assembly)	-5 °C ... 55 °C

Mounting

Mounting type	Front mounting
---------------	----------------

VS-08-A-RJ45/MOD-1-R-IP67 BK - Panel mounting frames



1658053

<https://www.phoenixcontact.com/us/products/1658053>

Classifications

ECLASS

ECLASS-11.0	27440210
ECLASS-12.0	27440210
ECLASS-13.0	27440210

ETIM

ETIM 9.0	EC002310
----------	----------

UNSPSC

UNSPSC 21.0	39121400
-------------	----------

VS-08-A-RJ45/MOD-1-R-IP67 BK - Panel mounting frames



1658053

<https://www.phoenixcontact.com/us/products/1658053>

Environmental product compliance

China RoHS	Environmentally friendly use period: unlimited = EFUP-e
	No hazardous substances above threshold values

Phoenix Contact 2024 © - all rights reserved
<https://www.phoenixcontact.com>

Phoenix Contact USA
586 Fulling Mill Road
Middletown, PA 17057, United States
(+717) 944-1300
info@phoenixcon.com