

# VS-SI-FP-2DSUB9-GC-BU/ST - Front plate



1657708

<https://www.phoenixcontact.com/us/products/1657708>

Please be informed that the data shown in this PDF document is generated from our online catalog. Please find the complete data in the user documentation. Our general terms of use for downloads are valid.



Front plate with contact inserts, plastic, 2x D-SUB 9, socket/pin

## Commercial data

Item number	1657708
Packing unit	1 pc
Minimum order quantity	1 pc
Sales key	BF70
Product key	BF7EDX
Catalog page	Page 710 (C-2-2019)
GTIN	4046356118347
Weight per piece (including packing)	44.6 g
Weight per piece (excluding packing)	42.7 g
Customs tariff number	85366990
Country of origin	DE

# VS-SI-FP-2DSUB9-GC-BU/ST - Front plate



1657708

<https://www.phoenixcontact.com/us/products/1657708>

## Technical data

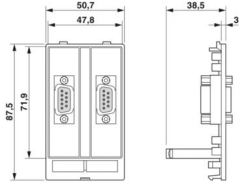
### Product properties

Product type	Data front plate
Number of positions	9
Type	Socket/pin

### Electrical properties

Rated voltage (III/3)	max. 30 V AC (RJ45, D-SUB 9, UL rating)
	48 V AC/DC (D-SUB)
Rated current	max. 42.4 V DC (RJ45, D-SUB 9, UL rating)
	max. 175 mA (D-SUB 9, UL rating)
	3 A (D-SUB 9)

### Dimensions

Dimensional drawing	
Width	51 mm
Height	45 mm
Length	87.5 mm

### Material specifications

Material Front plate	PBT
Flammability rating according to UL 94	V0

### Connector

Contact insert design	with 2x D-SUB 9 Socket/pin, slot locking UNC 4...40 bolts
-----------------------	---

### Environmental and real-life conditions

#### Ambient conditions

Degree of protection	IP20
Ambient temperature (operation)	-10 °C ... 60 °C

### Mounting

Assembly instructions	suitable for all mounting frames
-----------------------	----------------------------------

# VS-SI-FP-2DSUB9-GC-BU/ST - Front plate



1657708

<https://www.phoenixcontact.com/us/products/1657708>

## Classifications

### ECLASS

ECLASS-11.0	27182806
ECLASS-12.0	27182806
ECLASS-13.0	27182806

### ETIM

ETIM 9.0	EC000456
----------	----------

### UNSPSC

UNSPSC 21.0	39121300
-------------	----------

# VS-SI-FP-2DSUB9-GC-BU/ST - Front plate



1657708

<https://www.phoenixcontact.com/us/products/1657708>

## Environmental product compliance

REACH SVHC	Lead 7439-92-1
China RoHS	Environmentally Friendly Use Period = 50 years
	For information on hazardous substances, refer to the manufacturer's declaration available under "Downloads"

Phoenix Contact 2024 © - all rights reserved

<https://www.phoenixcontact.com>

Phoenix Contact USA  
586 Fulling Mill Road  
Middletown, PA 17057, United States  
(+717) 944-1300  
[info@phoenixcon.com](mailto:info@phoenixcon.com)