

VS-SI-EB-EMV-1 - Mounting frame



1656482

<https://www.phoenixcontact.com/us/products/1656482>

Please be informed that the data shown in this PDF document is generated from our online catalog. Please find the complete data in the user documentation. Our general terms of use for downloads are valid.

Mounting frame, for one front plate or socket, metal frame, matt nickel-plated, electrically conductive, transparent cover



Commercial data

Item number	1656482
Packing unit	1 pc
Minimum order quantity	1 pc
Sales key	BF70
Product key	BF7EAX
Catalog page	Page 708 (C-2-2019)
GTIN	4046356029858
Weight per piece (including packing)	205.7 g
Weight per piece (excluding packing)	204.1 g
Customs tariff number	85389099
Country of origin	DE

VS-SI-EB-EMV-1 - Mounting frame

1656482

<https://www.phoenixcontact.com/us/products/1656482>

Technical data

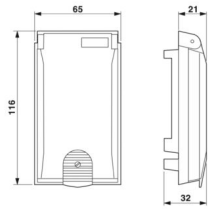
Notes

General	With lockable pressure lock
---------	-----------------------------

Product properties

Product type	Mounting frame
Type	for 1 front plate

Dimensions

Dimensional drawing	
Width	65 mm
Height	38 mm
Length	120 mm

Installation dimensions

Width of the assembly cutout	52 mm
Length of the assembly cutout	91 mm

Material specifications

Material Housing	Zinc alloy
Flammability rating according to UL 94	V0

Environmental and real-life conditions

Ambient conditions

Degree of protection	IP65
Ambient temperature (operation)	-10 °C ... 60 °C
Ambient temperature (storage/transport)	-25 °C ... 70 °C

Mounting

Assembly instructions	Suitable for panel thicknesses 1 mm ... 5 mm
-----------------------	--

VS-SI-EB-EMV-1 - Mounting frame



1656482

<https://www.phoenixcontact.com/us/products/1656482>

Classifications

ECLASS

ECLASS-11.0	27182702
ECLASS-13.0	27182806

ETIM

ETIM 9.0	EC000456
----------	----------

UNSPSC

UNSPSC 21.0	31261500
-------------	----------

VS-SI-EB-EMV-1 - Mounting frame



1656482

<https://www.phoenixcontact.com/us/products/1656482>

Environmental product compliance

REACH SVHC	Lead 7439-92-1
China RoHS	Environmentally Friendly Use Period = 50 years
	For information on hazardous substances, refer to the manufacturer's declaration available under "Downloads"

Phoenix Contact 2024 © - all rights reserved

<https://www.phoenixcontact.com>

Phoenix Contact USA
586 Fulling Mill Road
Middletown, PA 17057, United States
(+717) 944-1300
info@phoenixcon.com