

VS-ST-KX-75-RG179/187 - D-SUB coaxial contact



1655629

<https://www.phoenixcontact.com/us/products/1655629>

Please be informed that the data shown in this PDF document is generated from our online catalog. Please find the complete data in the user documentation. Our general terms of use for downloads are valid.



Coaxial contact, for D-SUB combination inserts, solder cup, pin, straight, for cable RG 179/187, gold-plated

Commercial data

Item number	1655629
Packing unit	10 pc
Minimum order quantity	10 pc
Sales key	BF62
Product key	BF7ACZ
Catalog page	Page 325 (PC-2009)
GTIN	4046356029513
Weight per piece (including packing)	1.93 g
Weight per piece (excluding packing)	1.85 g
Customs tariff number	85366910
Country of origin	CZ

VS-ST-KX-75-RG179/187 - D-SUB coaxial contact



1655629

<https://www.phoenixcontact.com/us/products/1655629>

Technical data

Product properties

Product type	Solder contact
Type	Individual male contact
Contact material type	turned
Series	HC-M-04-KOAX

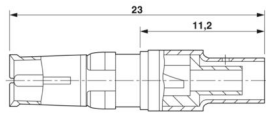
Electrical properties

Rated voltage (III/3)	250 V
Rated current	2 A
Insulation resistance	10 TΩ
Wave impedance	75 Ω

Connection data

Connection method	Solder cup
-------------------	------------

Dimensions

Dimensional drawing	
Width	6 mm
Height	6 mm
Length	23 mm

Mechanical characteristics

Contact diameter	4.8 mm
------------------	--------

Material specifications

Contact material	Copper alloy
Contact surface material	Hard gold-plated over nickel

Cable/line

External cable diameter ()	3.2 mm
Wave impedance	75 Ω

Mechanical properties

Mechanical data

Insertion/withdrawal cycles	≥ 500
Insertion force per signal contact	≤ 7.00 N
Extraction force per signal contact	≤ 7 N

Environmental and real-life conditions

VS-ST-KX-75-RG179/187 - D-SUB coaxial contact



1655629

<https://www.phoenixcontact.com/us/products/1655629>

Ambient conditions

Ambient temperature (operation)

-55 °C ... 135 °C

VS-ST-KX-75-RG179/187 - D-SUB coaxial contact



1655629

<https://www.phoenixcontact.com/us/products/1655629>

Classifications

ECLASS

ECLASS-11.0	27440204
ECLASS-12.0	27440204
ECLASS-13.0	27440204

ETIM

ETIM 9.0	EC000796
----------	----------

UNSPSC

UNSPSC 21.0	39121500
-------------	----------

VS-ST-KX-75-RG179/187 - D-SUB coaxial contact



1655629

<https://www.phoenixcontact.com/us/products/1655629>

Environmental product compliance

REACH SVHC	Lead 7439-92-1
China RoHS	Environmentally Friendly Use Period = 50 years
	For information on hazardous substances, refer to the manufacturer's declaration available under "Downloads"

Phoenix Contact 2024 © - all rights reserved

<https://www.phoenixcontact.com>

Phoenix Contact USA
586 Fulling Mill Road
Middletown, PA 17057, United States
(+717) 944-1300
info@phoenixcon.com