

VS-08-KS-H/GY - RJ45 bending protection sleeve



1654743

<https://www.phoenixcontact.com/us/products/1654743>

Please be informed that the data shown in this PDF document is generated from our online catalog. Please find the complete data in the user documentation. Our general terms of use for downloads are valid.

RJ45 bend protection sleeve, for pin inserts VS-08-ST-H11-RJ45 and VS-08-ST-H21-RJ45, for cable cross section up to 7 mm, color: gray



Commercial data

Item number	1654743
Packing unit	5 pc
Minimum order quantity	5 pc
Sales key	AB10
Product key	ABNAAZ
Catalog page	Page 372 (C-2-2019)
GTIN	4017918977801
Weight per piece (including packing)	2.24 g
Weight per piece (excluding packing)	2.21 g
Customs tariff number	39269097
Country of origin	CN

VS-08-KS-H/GY - RJ45 bending protection sleeve



1654743

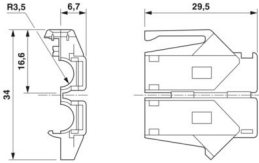
<https://www.phoenixcontact.com/us/products/1654743>

Technical data

Product properties

Product type	Bend protection sleeve
--------------	------------------------

Dimensions

Dimensional drawing	
Width	13.5 mm
Height	17 mm
Length	29.5 mm

Material specifications

Color	gray
Flammability rating according to UL 94	V0
Housing material	PA

Cable/line

External cable diameter ()	7 mm
-----------------------------	------

Environmental and real-life conditions

Ambient conditions

Degree of protection	IP20
Ambient temperature (operation)	-40 °C ... 80 °C

VS-08-KS-H/GY - RJ45 bending protection sleeve



1654743

<https://www.phoenixcontact.com/us/products/1654743>

Classifications

ECLASS

ECLASS-11.0	27440212
ECLASS-12.0	27440302
ECLASS-13.0	27440212

ETIM

ETIM 9.0	EC001679
----------	----------

UNSPSC

UNSPSC 21.0	39121400
-------------	----------

VS-08-KS-H/GY - RJ45 bending protection sleeve



1654743

<https://www.phoenixcontact.com/us/products/1654743>

Environmental product compliance

China RoHS	Environmentally friendly use period: unlimited = EFUP-e
	No hazardous substances above threshold values

Phoenix Contact 2024 © - all rights reserved
<https://www.phoenixcontact.com>

Phoenix Contact USA
586 Fulling Mill Road
Middletown, PA 17057, United States
(+717) 944-1300
info@phoenixcon.com