

VS-25-A-DEVNET-S - Panel mounting frames



1652253

<https://www.phoenixcontact.com/us/products/1652253>

Please be informed that the data shown in this PDF document is generated from our online catalog. Please find the complete data in the user documentation. Our general terms of use for downloads are valid.



D-SUB panel mounting frame, for DeviceNet, shell size 3, header, screw connection, unshielded, connection direction straight, IP67 degree of protection

Commercial data

Item number	1652253
Packing unit	1 pc
Minimum order quantity	1 pc
Sales key	AB19
Product key	ABNCBC
Catalog page	Page 24 (PC-2005)
GTIN	4017918929152
Weight per piece (including packing)	23.1 g
Weight per piece (excluding packing)	23.1 g
Customs tariff number	85369010
Country of origin	DE

Technical data

Notes

Safety note

Safety note	<p>WARNING: The connectors may not be plugged in or disconnected under load. Ignoring the warning or improper use may damage persons and/or property.</p>
	<ul style="list-style-type: none">• WARNING: Commission properly functioning products only. The products must be regularly inspected for damage. Decommission defective products immediately. Replace damaged products. Repairs are not possible.
	<ul style="list-style-type: none">• WARNING: Only electrically qualified personnel may install and operate the product. They must observe the following safety notes. The qualified personnel must be familiar with the basics of electrical engineering. They must be able to recognize and prevent danger. The relevant symbol on the packaging indicates that only personnel familiar with electrical engineering are allowed to install and operate the product.
	<ul style="list-style-type: none">• The products are suitable for applications in plant, controller, and electrical device engineering.
	<ul style="list-style-type: none">• When operating the connectors in outdoor applications, they must be separately protected against environmental influences.
	<ul style="list-style-type: none">• Assembled products may not be manipulated or improperly opened.
	<ul style="list-style-type: none">• Only use mating connectors that are specified in the technical data of the standards listed (e.g. the ones listed in the product accessories online at phoenixcontact.com/products).
	<ul style="list-style-type: none">• When using the product in direct connection with third-party manufacturers, the user is responsible.
	<ul style="list-style-type: none">• For operating voltages > 50 V AC, conductive connector housings must be grounded
	<ul style="list-style-type: none">• Only use tools recommended by Phoenix Contact
	<ul style="list-style-type: none">• The installation notes/Design In documents online on the download page at phoenixcontact.com/products must be observed for this product.
	<ul style="list-style-type: none">• Use a protective cap to protect connectors that are not in use. The suitable accessories are available online in the accessory section of the product at phoenixcontact.com/products
	<ul style="list-style-type: none">• Operate the connector only when it is fully plugged in and interlocked.
	<ul style="list-style-type: none">• Operate the connector only when it is fully plugged in.
<ul style="list-style-type: none">• Ensure that when laying the cable, the tensile load on the connectors does not exceed the upper limit specified in the standards.	
<ul style="list-style-type: none">• Observe the minimum bending radius of the cable. Lay the cable without twisting it.	
<ul style="list-style-type: none">• VDE 0100/1.97 § 411.1.3.2 and DIN EN 60 204/11.98 § 14.1.3 are applicable when combining several circuits in a cable and/or connector	

Product properties

VS-25-A-DEVNET-S - Panel mounting frames

1652253

<https://www.phoenixcontact.com/us/products/1652253>

Type	Shell size 3
Product type	Panel mounting frame
Number of positions	5
Connection profile	D-SUB
Type	RJ45

Insulation characteristics

Overvoltage category	III
Degree of pollution	3

Electrical properties

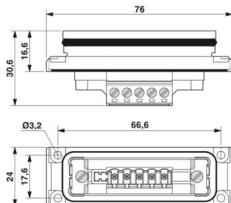
Rated voltage (III/3)	250 V
Rated current	8 A
Transmission medium	Copper

Connection data

Connection technology

Connection method	Screw connection
-------------------	------------------

Dimensions

Dimensional drawing	
Width	30.5 mm
Height	24 mm
Length	76 mm

Material specifications

Material	Plastic
Flammability rating according to UL 94	V0
Seal material	NBR
Housing surface material	PA, light gray
Contact material	Cu alloy
Contact surface material	Au/Ni
Contact carrier material	Polyester GF
Housing material	Plastic

Environmental and real-life conditions

Ambient conditions

Degree of protection	IP65/IP67
----------------------	-----------

VS-25-A-DEVNET-S - Panel mounting frames



1652253

<https://www.phoenixcontact.com/us/products/1652253>

Ambient temperature (operation)	-40 °C ... 80 °C
---------------------------------	------------------

Mounting

Mounting type	Front mounting
---------------	----------------

VS-25-A-DEVNET-S - Panel mounting frames



1652253

<https://www.phoenixcontact.com/us/products/1652253>

Classifications

ECLASS

ECLASS-11.0	27440210
ECLASS-12.0	27440210
ECLASS-13.0	27440210

ETIM

ETIM 9.0	EC002310
----------	----------

UNSPSC

UNSPSC 21.0	39121400
-------------	----------

VS-25-A-DEVNET-S - Panel mounting frames



1652253

<https://www.phoenixcontact.com/us/products/1652253>

Environmental product compliance

China RoHS	Environmentally friendly use period: unlimited = EFUP-e
	No hazardous substances above threshold values

Phoenix Contact 2024 © - all rights reserved
<https://www.phoenixcontact.com>

Phoenix Contact USA
586 Fulling Mill Road
Middletown, PA 17057, United States
(+717) 944-1300
info@phoenixcon.com