

## Adapter plate - VS-ADP24-VS09/VS09 - 1652169

Please be informed that the data shown in this PDF Document is generated from our Online Catalog. Please find the complete data in the user's documentation. Our General Terms of Use for Downloads are valid (<http://phoenixcontact.com/download>)




Adapter plate, size B24, reinforced, including panel mounting frame with DSUB 9 protective cover and without contact insert, and panel mounting frame with DSUB 9 protective cover and with gender changer contact insert socket/socket

RoHS

IP54

### Key Commercial Data

Packing unit	1 pc
GTIN	 4 017918 910174
GTIN	4017918910174
Weight per Piece (excluding packing)	72.500 g
Custom tariff number	85389099
Country of origin	Germany

### Technical data

#### Dimensions

Width	29.7 mm
Height	52 mm
Length	150 mm

#### Ambient conditions

Ambient temperature (operation)	-20 °C ... 80 °C
---------------------------------	------------------

#### General data

Alternative short product description	Adapter plate for connector
---------------------------------------	-----------------------------

#### Standards and Regulations

Flammability rating according to UL 94	HB
--	----

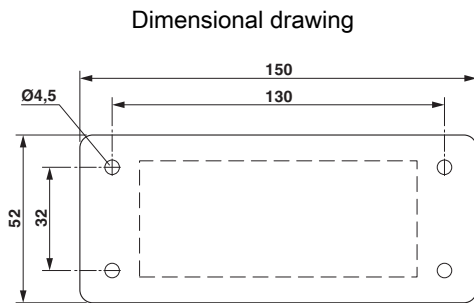
# Adapter plate - VS-ADP24-VS09/VS09 - 1652169

## Technical data

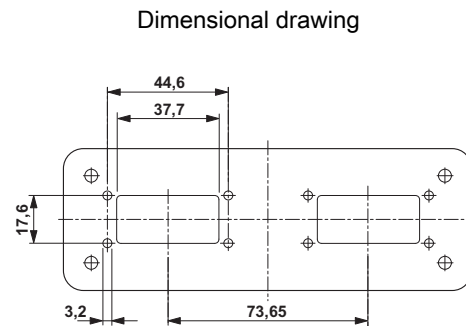
### Environmental Product Compliance

China RoHS	Environmentally friendly use period: unlimited = EFUP-e
	No hazardous substances above threshold values

## Drawings



Adapter plate



Mounting cutout

## Classifications

### eCl@ss

eCl@ss 10.0.1	27440201
eCl@ss 11.0	27440201
eCl@ss 4.0	27140800
eCl@ss 4.1	27140800
eCl@ss 5.0	27189200
eCl@ss 5.1	27189200
eCl@ss 6.0	27261200
eCl@ss 7.0	27440201
eCl@ss 9.0	27440201

### ETIM

ETIM 2.0	EC000007
ETIM 3.0	EC000007
ETIM 4.0	EC000007
ETIM 6.0	EC002309
ETIM 7.0	EC002309

### UNSPSC

UNSPSC 6.01	31261501
-------------	----------

## Adapter plate - VS-ADP24-VS09/VS09 - 1652169

### Classifications

#### UNSPSC

UNSPSC 7.0901	31261501
UNSPSC 11	31261501
UNSPSC 12.01	31261501
UNSPSC 13.2	31261501
UNSPSC 18.0	31261501
UNSPSC 19.0	31261501
UNSPSC 20.0	31261501
UNSPSC 21.0	31261501

### Approvals

#### Approvals

---

Approvals


EAC

---

Ex Approvals

---

#### Approval details

EAC		B.01687
-----	---	---------

---