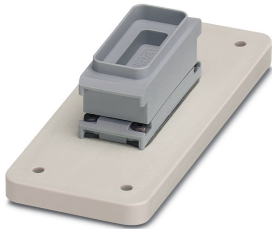


Adapter plate - VS-ADP16-VS09 - 1652130


Please be informed that the data shown in this PDF Document is generated from our Online Catalog. Please find the complete data in the user's documentation. Our General Terms of Use for Downloads are valid (<http://phoenixcontact.com/download>)



Adapter plate, size B16, reinforced, including panel mounting frame with DSUB 9 protective cover and without contact insert



Key Commercial Data

Packing unit	1 pc
GTIN	 4 017918 910143
GTIN	4017918910143
Weight per Piece (excluding packing)	50.400 g
Custom tariff number	85389099
Country of origin	Germany

Technical data

Dimensions

Width	29.7 mm
Height	52 mm
Length	123 mm

Ambient conditions

Ambient temperature (operation)	-20 °C ... 80 °C
---------------------------------	------------------

General data

Alternative short product description	Adapter plate for connector
---------------------------------------	-----------------------------

Standards and Regulations

Flammability rating according to UL 94	HB
--	----

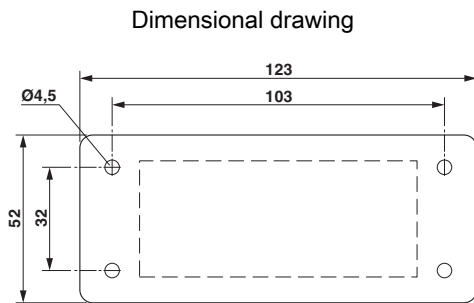
Adapter plate - VS-ADP16-VS09 - 1652130

Technical data

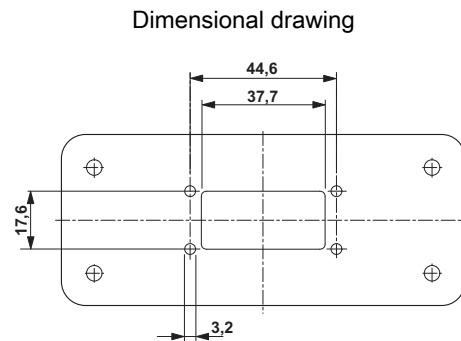
Environmental Product Compliance

China RoHS	Environmentally friendly use period: unlimited = EFUP-e
	No hazardous substances above threshold values

Drawings



Adapter plate



Mounting cutout

Classifications

eCl@ss

eCl@ss 10.0.1	27440201
eCl@ss 11.0	27440201
eCl@ss 4.0	27140800
eCl@ss 4.1	27140800
eCl@ss 5.0	27189200
eCl@ss 5.1	27189200
eCl@ss 6.0	27261200
eCl@ss 7.0	27440201
eCl@ss 9.0	27440201

ETIM

ETIM 2.0	EC000007
ETIM 3.0	EC000007
ETIM 4.0	EC000007
ETIM 6.0	EC002309
ETIM 7.0	EC002309

UNSPSC

UNSPSC 6.01	31261501
-------------	----------

Adapter plate - VS-ADP16-VS09 - 1652130

Classifications

UNSPSC

UNSPSC 7.0901	31261501
UNSPSC 11	31261501
UNSPSC 12.01	31261501
UNSPSC 13.2	31261501
UNSPSC 18.0	31261501
UNSPSC 19.0	31261501
UNSPSC 20.0	31261501
UNSPSC 21.0	31261501

Approvals


Approvals

Approvals

EAC

Ex Approvals

Approval details

EAC		B.01687
-----	---	---------
