

HC-B 6-A-DT-PEL-M - Terminal adapter



1648364

<https://www.phoenixcontact.com/us/products/1648364>

Please be informed that the data shown in this PDF document is generated from our online catalog. Please find the complete data in the user documentation. Our general terms of use for downloads are valid.



HEAVYCON terminal adapter, pin insert, B6 series, 6-pos., for the left side of the control cabinet, push-in connection

Your advantages

- Easy installation without tools, even when mounted, with push-in connection technology
- Shortest installation time compared to other connection technologies
- Quick and effortless wiring, in particular when space is tight
- Automatic cabling with robots possible
- Safe wiring and operation with color-coded actuators
- Shock and vibration-resistant in accordance with DIN EN 61373

Commercial data

Item number	1648364
Packing unit	5 pc
Minimum order quantity	5 pc
Sales key	BF61
Product key	BF7ADC
Catalog page	Page 549 (C-2-2019)
GTIN	4046356092081
Weight per piece (including packing)	76 g
Weight per piece (excluding packing)	72.378 g
Customs tariff number	85366990
Country of origin	CN

HC-B 6-A-DT-PEL-M - Terminal adapter



1648364

<https://www.phoenixcontact.com/us/products/1648364>

Technical data

Notes

General	For HEAVYCON-ADVANCE mounting flange and HEAVYCON panel mounting base of B6 type
General	Connectors may be operated only when there is no load/voltage.

Product properties

Type	B6
Product type	Terminal adapter
Product family	HC-B
Number of positions	6
Connection profile	6+PE
Contact numbering	1 - 6
Type	for the left side of the control cabinet
Series	HC-B

Insulation characteristics

Overvoltage category	III
Degree of pollution	3

Electrical properties

Rated voltage (III/3)	500 V
Rated surge voltage	6 kV
Rated current	16 A
SCCR	5 kA (UL 2237)

Connection data

Connection technology

Connection technology	Push-in connection
-----------------------	--------------------

Conductor connection

Conductor cross section	0.5 mm ² ... 2.5 mm ²
Connection cross section AWG	22 ... 12
Stripping length of the individual wire	10 mm (13 mm with ferrule)

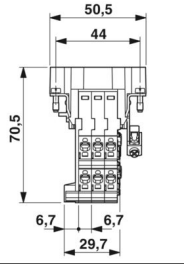
Dimensions

HC-B 6-A-DT-PEL-M - Terminal adapter



1648364

<https://www.phoenixcontact.com/us/products/1648364>

Dimensional drawing	
Width	34 mm
Height	70.5 mm
Length	50.5 mm
Drill hole distance, horizontal	44 mm
Drill hole distance, vertical	27 mm

Material specifications

Flammability rating according to UL 94	V0
Contact material	Copper alloy
Contact surface material	Ag
Contact carrier material	PA
Standards/regulations	PA: Fire protection in rail vehicles - requirement sets R22, R23, and R24 acc. to DIN EN 45545-2 (Risk level HL1 - HL3)

Cable/line

Stripping length of the individual wire	10 mm (13 mm with ferrule)
---	----------------------------

Mechanical properties

Mechanical data

Insertion/withdrawal cycles	≥ 500
-----------------------------	-------

Environmental and real-life conditions

Ambient conditions

Degree of protection	IP20
Ambient temperature (operation)	-40 °C ... 125 °C

Standards and regulations

Constructional and testing regulations	DIN EN 61984
	DIN EN 60664
	IEC 60352
Tests	DIN EN 61984
	DIN EN 60664
	IEC 60352

Testing

HC-B 6-A-DT-PEL-M - Terminal adapter



1648364

<https://www.phoenixcontact.com/us/products/1648364>

Standards/regulations

PA: Fire protection in rail vehicles - requirement sets R22, R23, and R24 acc. to DIN EN 45545-2 (Risk level HL1 - HL3)

Mounting

Assembly instructions

To ensure correct use, installation in housing with IP54 protection or better is required

1) Use ferrules. 0.5 mm² ... 2.5 mm² with insulating collar, length: 10 mm, stripping length: 13 mm, 2) screwdriver SZF0-0,4x2,5 (similar to DIN 5264)

HC-B 6-A-DT-PEL-M - Terminal adapter



1648364

<https://www.phoenixcontact.com/us/products/1648364>

Classifications

ECLASS

ECLASS-11.0	27440222
ECLASS-12.0	27440222
ECLASS-13.0	27440222

ETIM

ETIM 9.0	EC000438
----------	----------

UNSPSC

UNSPSC 21.0	39121500
-------------	----------

HC-B 6-A-DT-PEL-M - Terminal adapter



1648364

<https://www.phoenixcontact.com/us/products/1648364>

Environmental product compliance

REACH SVHC	Lead 7439-92-1
China RoHS	Environmentally Friendly Use Period = 50 years
	For information on hazardous substances, refer to the manufacturer's declaration available under "Downloads"

Phoenix Contact 2024 © - all rights reserved

<https://www.phoenixcontact.com>

Phoenix Contact USA
586 Fulling Mill Road
Middletown, PA 17057, United States
(+717) 944-1300
info@phoenixcon.com