

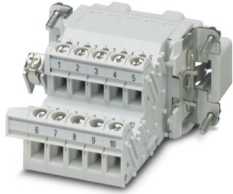
HC-B 10-A-UT-PER-M - Terminal adapter



1648084

<https://www.phoenixcontact.com/us/products/1648084>

Please be informed that the data shown in this PDF document is generated from our online catalog. Please find the complete data in the user documentation. Our general terms of use for downloads are valid.



HEAVYCON terminal adapter, pin insert, B10 series, 10-pos., for the right side of the control cabinet, screw connection.

Commercial data

| | |
|--------------------------------------|---------------------|
| Item number | 1648084 |
| Packing unit | 5 pc |
| Minimum order quantity | 5 pc |
| Sales key | BF61 |
| Product key | BF7ADC |
| Catalog page | Page 551 (C-2-2019) |
| GTIN | 4017918969721 |
| Weight per piece (including packing) | 107.04 g |
| Weight per piece (excluding packing) | 106.76 g |
| Customs tariff number | 85366990 |
| Country of origin | CN |

HC-B 10-A-UT-PER-M - Terminal adapter



1648084

<https://www.phoenixcontact.com/us/products/1648084>

Technical data

Notes

| | |
|---------|---|
| General | For HEAVYCON-ADVANCE mounting flange and HEAVYCON panel mounting base of B10 type |
| General | Connectors may be operated only when there is no load/voltage. |

Product properties

| | |
|---------------------|---|
| Type | B10 |
| Product type | Terminal adapter |
| Product family | HC-B |
| Number of positions | 10 |
| Connection profile | 10+PE |
| Contact numbering | 1 - 10 |
| Type | for the right side of the control cabinet |
| Series | HC-B |
| Screwdriver blade | 0.5 x 3.5 mm |

Insulation characteristics

| | |
|----------------------|-----|
| Overvoltage category | III |
| Degree of pollution | 3 |

Electrical properties

| | |
|-----------------------|----------------|
| Rated voltage (III/3) | 500 V |
| Rated surge voltage | 6 kV |
| Rated current | 16 A |
| SCCR | 5 kA (UL 2237) |

Connection data

Connection technology

| | |
|----------------------------------|------------------|
| Connection technology | Screw connection |
| Connection in acc. with standard | IEC / EN |

Conductor connection

| | |
|---|---|
| Conductor cross section | 0.5 mm ² ... 2.5 mm ² |
| Connection cross section AWG | 20 ... 14 |
| Tightening torque | 0.5 Nm ... 0.8 Nm |
| Stripping length of the individual wire | 12 mm |

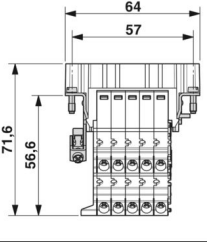
Dimensions

HC-B 10-A-UT-PER-M - Terminal adapter



1648084

<https://www.phoenixcontact.com/us/products/1648084>

| | |
|---------------------------------|--|
| Dimensional drawing |  |
| Width | 34 mm |
| Height | 71.6 mm |
| Length | 64 mm |
| Drill hole distance, horizontal | 57 mm |
| Drill hole distance, vertical | 27 mm |

Material specifications

| | |
|--|---|
| Flammability rating according to UL 94 | V0 |
| Contact material | Copper alloy |
| Contact surface material | Ag |
| Contact carrier material | PA |
| Standards/regulations | PA: Fire protection in rail vehicles - requirement sets R22, R23, and R24 acc. to DIN EN 45545-2 (Risk level HL1 - HL3) |

Cable/line

| | |
|---|-------|
| Stripping length of the individual wire | 12 mm |
|---|-------|

Mechanical properties

Mechanical data

| | |
|-----------------------------|-------|
| Insertion/withdrawal cycles | ≥ 500 |
|-----------------------------|-------|

Environmental and real-life conditions

Ambient conditions

| | |
|---------------------------------|-------------------|
| Ambient temperature (operation) | -40 °C ... 125 °C |
|---------------------------------|-------------------|

Standards and regulations

| | |
|--|--------------|
| Constructional and testing regulations | DIN EN 61984 |
| | DIN EN 60664 |
| | IEC 60352 |
| Tests | DIN EN 61984 |
| | DIN EN 60664 |
| | IEC 60352 |

Testing

| | |
|-----------------------|---|
| Standards/regulations | PA: Fire protection in rail vehicles - requirement sets R22, R23, and R24 acc. to DIN EN 45545-2 (Risk level HL1 - HL3) |
|-----------------------|---|

HC-B 10-A-UT-PER-M - Terminal adapter



1648084

<https://www.phoenixcontact.com/us/products/1648084>

Mounting

Assembly instructions

To ensure correct use, installation in housing with IP54 protection or better is required

Connectors may only be actuated when there is no load/voltage.

HC-B 10-A-UT-PER-M - Terminal adapter



1648084

<https://www.phoenixcontact.com/us/products/1648084>

Classifications

ECLASS

| | |
|-------------|----------|
| ECLASS-11.0 | 27440222 |
| ECLASS-12.0 | 27440222 |
| ECLASS-13.0 | 27440222 |

ETIM

| | |
|----------|----------|
| ETIM 9.0 | EC000438 |
|----------|----------|

UNSPSC

| | |
|-------------|----------|
| UNSPSC 21.0 | 39121500 |
|-------------|----------|

HC-B 10-A-UT-PER-M - Terminal adapter



1648084

<https://www.phoenixcontact.com/us/products/1648084>

Environmental product compliance

| | |
|------------|--|
| REACH SVHC | Lead 7439-92-1 |
| China RoHS | Environmentally Friendly Use Period = 50 years |
| | For information on hazardous substances, refer to the manufacturer's declaration available under "Downloads" |

Phoenix Contact 2024 © - all rights reserved

<https://www.phoenixcontact.com>

Phoenix Contact USA
586 Fulling Mill Road
Middletown, PA 17057, United States
(+717) 944-1300
info@phoenixcon.com