

# SACC-M12MS-4QO-0,34-M - Connector



1641691

<https://www.phoenixcontact.com/us/products/1641691>

Please be informed that the data shown in this PDF document is generated from our online catalog. Please find the complete data in the user documentation. Our general terms of use for downloads are valid.



Connector, Universal, 4-position, Plug straight M12, coding: A, Insulation displacement connection, knurl material: Zinc die-cast, nickel-plated, external cable diameter 3.5 mm ... 6 mm

## Your advantages

- Safe use in the field, thanks to a high degree of protection
- Insulation displacement connection: innovative and time-saving assembly without stripping the single wire

## Commercial data

Item number	1641691
Packing unit	1 pc
Minimum order quantity	1 pc
Sales key	BF31
Product key	BF2CCA
Catalog page	Page 20 (C-2-2019)
GTIN	4017918928926
Weight per piece (including packing)	13.4 g
Weight per piece (excluding packing)	13.4 g
Customs tariff number	85366990
Country of origin	DE

# SACC-M12MS-4QO-0,34-M - Connector



1641691

<https://www.phoenixcontact.com/us/products/1641691>

## Technical data

### Notes

General	<b>NOTE:</b> Observe the permissible bending radii when laying conductors, since the degree of protection may be put in jeopardy if the bending forces are too high. Alleviate mechanical loads upstream of the connector, e.g. by using cable ties.
---------	--

### Mounting

Assembly instructions	AWG 20 conductor cross section upon request
-----------------------	---

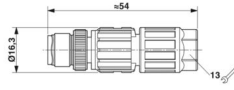
### Product properties

Product type	Circular connector (cable-side)
Sensor type	Universal
Number of positions	4
No. of cable outlets	1
Shielded	no
Coding	A
Cable outlet	straight

### Insulation characteristics

Overvoltage category	III
Degree of pollution	3

### Dimensions

Dimensional drawing	
Length	54 mm
Wrench size, union nut	13 mm

### External dimensions

Outside diameter	3.5 mm ... 6 mm
------------------	-----------------

### Housing

Diameter housing	16.3 mm
------------------	---------

### Material specifications

Flammability rating according to UL 94	V0
Seal material	NBR Neoprene
Material of grip body	PA 6
Contact material	CuSn

# SACC-M12MS-4QO-0,34-M - Connector



1641691

<https://www.phoenixcontact.com/us/products/1641691>

Contact surface material	Ni/Au
Contact carrier material	TPU
Material for screw connection	Zinc die-cast, nickel-plated
Wire insulation material	PVC / PE / PP / rubber

## Connection data

### Conductor connection

Connection method	Insulation displacement connection
Connection cross section	0.14 mm <sup>2</sup> ... 0.34 mm <sup>2</sup>
Connection cross section AWG	26 ... 22
Tightening torque	0.4 Nm (M12 knurl) 1.2 Nm (Pressure nut)

## Electrical properties

Rated surge voltage	2.5 kV
Contact resistance	≤ 5 mΩ
Insulation resistance	≥ 100 MΩ
Nominal voltage U <sub>N</sub>	125 V AC 125 V DC
Nominal current I <sub>N</sub>	4 A

## Mechanical properties

### Mechanical data

Insertion/withdrawal cycles	≥ 100
-----------------------------	-------

## Connector

### Connection 1

Head design	Plug
Head cable outlet	straight
Head thread type	M12
Coding	A

## Cable/line

Signal type/category	Universal
External cable diameter ( )	3.5 mm ... 6 mm

## Environmental and real-life conditions

### Ambient conditions

Degree of protection	IP65 IP67
Ambient temperature (operation)	-25 °C ... 80 °C (Plug / socket)
Ambient temperature (assembly)	-5 °C ... 50 °C (During assembly)

# SACC-M12MS-4QO-0,34-M - Connector



1641691

<https://www.phoenixcontact.com/us/products/1641691>

## Standards and regulations

### M12

Standard designation	M12 connector
Standards/specifications	according to IEC 61076-2-101

# SACC-M12MS-4QO-0,34-M - Connector



1641691

<https://www.phoenixcontact.com/us/products/1641691>

## Classifications

### ECLASS

ECLASS-11.0	27440102
ECLASS-12.0	27440116
ECLASS-13.0	27440116

### ETIM

ETIM 9.0	EC002635
----------	----------

### UNSPSC

UNSPSC 21.0	39121400
-------------	----------

# SACC-M12MS-4QO-0,34-M - Connector



1641691

<https://www.phoenixcontact.com/us/products/1641691>

## Environmental product compliance

China RoHS	Environmentally friendly use period: unlimited = EFUP-e No hazardous substances above threshold values
------------	---

Phoenix Contact 2024 © - all rights reserved  
<https://www.phoenixcontact.com>

Phoenix Contact USA  
586 Fulling Mill Road  
Middletown, PA 17057, United States  
(+717) 944-1300  
[info@phoenixcon.com](mailto:info@phoenixcon.com)