

# HC-A3-STQ1,5-TFL-G-PA - Connector



1641581

<https://www.phoenixcontact.com/us/products/1641581>

Please be informed that the data shown in this PDF document is generated from our online catalog. Please find the complete data in the user documentation. Our general terms of use for downloads are valid.



HEAVYCON QUICKON sleeve housing A3, for single locking latch, 3-pos., with PE connection, plug, QUICKON connection, straight cable outlet

## Commercial data

Item number	1641581
Packing unit	1 pc
Minimum order quantity	1 pc
Sales key	BF63
Product key	BF7AJX
Catalog page	Page 505 (C-2-2019)
GTIN	4017918890018
Weight per piece (including packing)	31.4 g
Weight per piece (excluding packing)	26 g
Customs tariff number	85366990
Country of origin	PL

# HC-A3-STQ1,5-TFL-G-PA - Connector

1641581

<https://www.phoenixcontact.com/us/products/1641581>

## Technical data

### Mounting

Assembly instructions	This product is only intended for use outdoors. If the conductor is reconnected, it must be cut off above the last contact point. QUICKON components may only be operated when under no load.
-----------------------	--

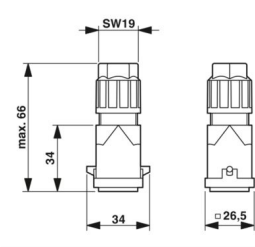
### Product properties

Type	D7
Product type	Contact insert with a fixed no. of positions
Number of positions	3
Connection profile	3+PE
Contact numbering	1 - 3
Application	Standard
No. of cable outlets	1
Type	Male
Housing type	Complete housing
Series	HC-A
Shielded	no
Cable outlet	straight

### Insulation characteristics

Overvoltage category	III
Degree of pollution	3

### Dimensions

Dimensional drawing	
Width	34 mm
Height	66 mm
Length	26.5 mm

### Connection data

#### Connection technology

Connection technology	IDC connection
-----------------------	----------------

#### Conductor connection

Conductor cross section	0.75 mm <sup>2</sup> ... 1.5 mm <sup>2</sup>
-------------------------	--

# HC-A3-STQ1,5-TFL-G-PA - Connector



1641581

<https://www.phoenixcontact.com/us/products/1641581>

Connection cross section AWG	18 ... 16
Tightening torque	3 Nm

## Electrical properties

Rated surge voltage (II/2)	4 kV
Rated surge voltage (III/2)	4 kV
Rated surge voltage (III/3)	4 kV
Rated current	10 A
Rated voltage (III/3)	230 V (Conductor-PE) 400 V (Conductor-Conductor)

## Mechanical properties

### Mechanical data

Insertion/withdrawal cycles	>= 500
-----------------------------	--------

## Material specifications

Material Housing	PA
Flammability rating according to UL 94	V0
Material wire insulation	PVC / PE
Contact material	Copper alloy
Contact surface material	Ag
Contact carrier material	PA/PC

## Environmental and real-life conditions

### Ambient conditions

Degree of protection	IP65
Ambient temperature (operation)	-25 °C ... 80 °C
Temperature when conductor connected	-5 °C ... 50 °C (specifications of the cable manufacturer must also be observed)
Ambient temperature (storage/transport)	-25 °C ... 80 °C

# HC-A3-STQ1,5-TFL-G-PA - Connector



1641581

<https://www.phoenixcontact.com/us/products/1641581>

## Classifications

### ECLASS

ECLASS-11.0	27440101
ECLASS-12.0	27440113
ECLASS-13.0	27440113

### ETIM

ETIM 9.0	EC002636
----------	----------

### UNSPSC

UNSPSC 21.0	39121400
-------------	----------

# HC-A3-STQ1,5-TFL-G-PA - Connector



1641581

<https://www.phoenixcontact.com/us/products/1641581>

## Environmental product compliance

China RoHS	Environmentally friendly use period: unlimited = EFUP-e
	No hazardous substances above threshold values

Phoenix Contact 2024 © - all rights reserved  
<https://www.phoenixcontact.com>

Phoenix Contact USA  
586 Fulling Mill Road  
Middletown, PA 17057, United States  
(+717) 944-1300  
[info@phoenixcon.com](mailto:info@phoenixcon.com)