

HC-M-EMV-BU/3-9,5 - Connector



1636091

<https://www.phoenixcontact.com/us/products/1636091>

Please be informed that the data shown in this PDF document is generated from our online catalog. Please find the complete data in the user documentation. Our general terms of use for downloads are valid.



HEAVYCON EMC connector, socket version, 4-pos., for connecting shielded conductors with 3 - 9.5 mm external conductor diameter. For use in the HC-M-02-EMC-F plastic module

Commercial data

| | |
|--------------------------------------|---------------------|
| Item number | 1636091 |
| Packing unit | 1 pc |
| Minimum order quantity | 1 pc |
| Sales key | BF62 |
| Product key | BF7ACB |
| Catalog page | Page 583 (C-2-2019) |
| GTIN | 4017918962913 |
| Weight per piece (including packing) | 32.77 g |
| Weight per piece (excluding packing) | 32.77 g |
| Customs tariff number | 85389099 |
| Country of origin | CN |

HC-M-EMV-BU/3-9,5 - Connector



1636091

<https://www.phoenixcontact.com/us/products/1636091>

Technical data

Notes

| | |
|---------|---|
| General | The potential of the EMC connector housing is isolated from the potential of the heavy connector. |
| General | for CK 1,6...ED... crimp contacts (note in scope of delivery) |
| General | Clamps for the clamping range of 3 mm - 6 mm and 6 mm - 9.5 mm |

Product properties

| | |
|-------------------------|---------------------|
| Product type | EMC insert, modular |
| Number of positions | 4 |
| Connection profile | 4 |
| Contact numbering | 1 - 4 |
| Application | Data/signal |
| No. of power contacts | 0 |
| No. of control contacts | 4 |
| Contact material type | turned rolled |
| Series | HC-M-EMV |
| Shielded | yes |

Insulation characteristics

| | |
|----------------------|-----|
| Overvoltage category | III |
| Degree of pollution | 3 |

Electrical properties

| | |
|-----------------------|--------|
| Rated voltage (III/3) | 48 V |
| Rated surge voltage | 0.8 kV |
| Rated current | 10 A |

Connection data

Connection technology

| | |
|-----------------------|------------------|
| Connection technology | Crimp connection |
|-----------------------|------------------|

Conductor connection

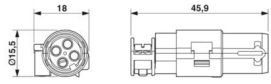
| | |
|---|--|
| Conductor cross section | 0.14 mm ² ... 2.5 mm ² |
| Connection cross section AWG | 26 ... 14 |
| Stripping length of the individual wire | 8 mm (6 mm with 2.5 mm ²) |

Dimensions

HC-M-EMV-BU/3-9,5 - Connector

1636091

<https://www.phoenixcontact.com/us/products/1636091>

| | |
|---------------------|--|
| Dimensional drawing |  |
| Width | 18 mm |
| Height | 15.5 mm |
| Length | 46 mm |

Mechanical characteristics

| | |
|------------------|--------|
| Contact diameter | 1.6 mm |
|------------------|--------|

Material specifications

| | |
|--|-----------------------|
| Flammability rating according to UL 94 | V0 |
| Contact material | Copper alloy |
| Contact surface material | Ag (alternatively Au) |
| Contact carrier material | PC |

Cable/line

| | |
|---|---------------------------------------|
| External cable diameter () | 3 mm ... 9.5 mm |
| Wire diameter including insulation | 2.4 mm |
| Stripping length of the individual wire | 8 mm (6 mm with 2.5 mm ²) |

Mechanical properties

Mechanical data

| | |
|-----------------------------|-------|
| Insertion/withdrawal cycles | ≥ 500 |
|-----------------------------|-------|

Environmental and real-life conditions

Ambient conditions

| | |
|---------------------------------|------------------|
| Ambient temperature (operation) | -40 °C ... 85 °C |
|---------------------------------|------------------|

Mounting

| | |
|-----------------------|--|
| Assembly instructions | Housing height ≥ 72 mm. Plug-in connections may only be operated only when there is no load/voltage. For use in HC-M-EMV-MOD-BU plastic module, usable CK1,6-ED-... crimp contacts |
|-----------------------|--|

HC-M-EMV-BU/3-9,5 - Connector



1636091

<https://www.phoenixcontact.com/us/products/1636091>

Classifications

ECLASS

| | |
|-------------|----------|
| ECLASS-11.0 | 27440205 |
| ECLASS-12.0 | 27440205 |
| ECLASS-13.0 | 27440205 |

ETIM

| | |
|----------|----------|
| ETIM 9.0 | EC000438 |
|----------|----------|

UNSPSC

| | |
|-------------|----------|
| UNSPSC 21.0 | 39121500 |
|-------------|----------|

HC-M-EMV-BU/3-9,5 - Connector



1636091

<https://www.phoenixcontact.com/us/products/1636091>

Environmental product compliance

| | |
|------------|---|
| China RoHS | Environmentally friendly use period: unlimited = EFUP-e |
| | No hazardous substances above threshold values |

Phoenix Contact 2024 © - all rights reserved
<https://www.phoenixcontact.com>

Phoenix Contact USA
586 Fulling Mill Road
Middletown, PA 17057, United States
(+717) 944-1300
info@phoenixcon.com