

PRC 5-TC-FS6 8-21 - Test plug



1621325

<https://www.phoenixcontact.com/us/products/1621325>

Please be informed that the data shown in this PDF document is generated from our online catalog. Please find the complete data in the user documentation. Our general terms of use for downloads are valid.



PRC test plug, 2000 plug cycles, can be released by hand, black, 5-pos., 1.5 mm² ... 6 mm² / 690 V / 35 A, with screw connection for cables with an outside diameter of 8 mm ... 21 mm.

Your advantages

- Up to 75% smaller in size than industrial connectors with the same rating
- Locking mechanism can be unlocked manually or using a tool
- Suitable for applications in atmospheres containing salt and in direct sunlight
- Ideal for indoor and outdoor use due to weatherproof materials

Commercial data

Item number	1621325
Packing unit	1 pc
Minimum order quantity	1 pc
Sales key	AB03
Product key	ABLCZA
Catalog page	Page 76 (NTK-2014)
GTIN	4046356914727
Weight per piece (including packing)	104 g
Weight per piece (excluding packing)	104 g
Customs tariff number	85366990
Country of origin	PL

Technical data

Notes

General	Manually releasable version with orange release latch
Safety note	<ul style="list-style-type: none"> • WARNING: Commission properly functioning products only. The products must be regularly inspected for damage. Decommission defective products immediately. Replace damaged products. Repairs are not possible. • WARNING: Only electrically qualified personnel may install and operate the product. They must observe the following safety notes. The qualified personnel must be familiar with the basics of electrical engineering. They must be able to recognize and prevent danger. The relevant symbol on the packaging indicates that only personnel familiar with electrical engineering are allowed to install and operate the product. WARNING: The connectors may not be plugged in or disconnected under load. Ignoring the warning or improper use may damage persons and/or property. • Assembled products may not be manipulated or improperly opened. • Only use mating connectors that are specified in the technical data of the standards listed (e.g. the ones listed in the product accessories online at phoenixcontact.com/products). • When using the product in direct connection with third-party manufacturers, the user is responsible. • For operating voltages > 50 V AC, conductive connector housings must be grounded • Ensure that the protective or functional ground has been properly connected. • VDE 0100/1.97 § 411.1.3.2 and DIN EN 60 204/11.98 § 14.1.3 are applicable when combining several circuits in a cable and/or connector • Observe the corresponding technical data. You will find information: <ul style="list-style-type: none"> o On the product o On the packing label o In the supplied documentation o Online at phoenixcontact.com/products under the product • Only use tools recommended by Phoenix Contact • The installation notes/Design In documents online on the download page at phoenixcontact.com/products must be observed for this product. • Use a protective cap to protect connectors that are not in use. The suitable accessories are available online in the accessory section of the product at phoenixcontact.com/products • Operate the connector only when it is fully plugged in. • Operate the connector only when it is fully plugged in and interlocked. • Ensure that when laying the cable, the tensile load on the connectors does not exceed the upper limit specified in the standards.

PRC 5-TC-FS6 8-21 - Test plug

1621325

<https://www.phoenixcontact.com/us/products/1621325>

- Observe the minimum bending radius of the cable. Lay the cable without twisting it.
- The connector warms up in normal operation. Depending on the ambient conditions, the surface of the connector can continue to warm up. In this case, the user is responsible for posting warnings (e.g. DIN EN ISO 13732-1:2008-12).

Product properties

Product type	Installation connector
Product family	PRC 35
Number of positions	5
Connection profile	4+PE
Coding	AD

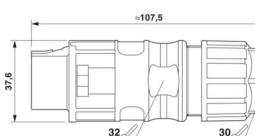
Insulation characteristics

Protection class	II
Degree of pollution	2

Electrical properties

Rated voltage (III/2)	690 V
Nominal voltage ATD	690 V AC / DC (III/2.00) in accordance with IEC 61984 500 V AC / DC (III/2.00) in accordance with IEC 61535 600 V AC / DC (III/2.00) in accordance with UL 2238 / UL 2237
Rated surge voltage (III/2)	8 kV
Rated current	35 A (with 6 mm ² conductor cross section)

Dimensions

Dimensional drawing	
Width	37.6 mm
Height	37.6 mm
Length	105 mm

External dimensions

Outside diameter	8 mm ... 21 mm
------------------	----------------

Material specifications

Color	black
Color of the housing part	black
Flammability rating according to UL 94	V0
Insulating material group	I / CTI 600
Seal material	EPDM
Material of grip body	PPE

PRC 5-TC-FS6 8-21 - Test plug



1621325

<https://www.phoenixcontact.com/us/products/1621325>

Cable seal material	EPDM
Contact material	Cu alloy
Contact surface material	silver-plated
Contact carrier material	PPE
O-ring material	EPDM
Material for screw connection	PPE
Housing material	PPE

Connector

Pull-out-force	175 N \pm 50 N
----------------	------------------

Cable/line

External cable diameter	8 mm ... 21 mm
-------------------------	----------------

Mechanical properties

Mechanical data

Insertion/withdrawal cycles	2000 ()
Insertion force	40 N \pm 10 N

Environmental and real-life conditions

Ambient conditions

Degree of protection (when plugged in)	IP66 / IP68 (2m / 24h) / IP69K
Degree of protection	IP66 / IP68 (2m / 24h) / IP69K IP66 / IP68 (2m / 24h) / IP69K
Ambient temperature (operation)	-40 °C ... 105 °C (dependent on the derating curve)
Ambient temperature (storage/transport)	-40 °C ... 70 °C
Ambient temperature (assembly)	5 °C ... 85 °C

PRC 5-TC-FS6 8-21 - Test plug



1621325

<https://www.phoenixcontact.com/us/products/1621325>

Classifications

ECLASS

ECLASS-11.0	27440109
ECLASS-12.0	27440109
ECLASS-13.0	27440109

ETIM

ETIM 9.0	EC003569
----------	----------

UNSPSC

UNSPSC 21.0	39121400
-------------	----------

PRC 5-TC-FS6 8-21 - Test plug



1621325

<https://www.phoenixcontact.com/us/products/1621325>

Environmental product compliance

China RoHS	Environmentally friendly use period: unlimited = EFUP-e No hazardous substances above threshold values
------------	---

Phoenix Contact 2024 © - all rights reserved
<https://www.phoenixcontact.com>

Phoenix Contact USA
586 Fulling Mill Road
Middletown, PA 17057, United States
(+717) 944-1300
info@phoenixcon.com