

VS-PPC-F1-RJ45-POBK-1R-F - Panel mounting frames



1608197

<https://www.phoenixcontact.com/us/products/1608197>

Please be informed that the data shown in this PDF document is generated from our online catalog. Please find the complete data in the user documentation. Our general terms of use for downloads are valid.



RJ45 panel mounting frame, IP67, for push-pull interlocking, plastic, with the Freenet system, for square panel cutout, with grommet, without mounting screws

Commercial data

Item number	1608197
Packing unit	1 pc
Minimum order quantity	1 pc
Sales key	AB17
Product key	ABNODB
Catalog page	Page 346 (C-4-2015)
GTIN	4046356159937
Weight per piece (including packing)	8.5 g
Weight per piece (excluding packing)	8.2 g
Customs tariff number	85389099
Country of origin	DE

VS-PPC-F1-RJ45-POBK-1R-F - Panel mounting frames



1608197

<https://www.phoenixcontact.com/us/products/1608197>

Technical data

Notes

General	This product corresponds to the PROFINET Cabling and Interconnection Technology Guideline for PROFINET regulations, version 2.00, order no: 2.252, Chapter 8.2 Connectors for Outside Environment (Balanced cabling) and chapter 13 Application specific Cabling and Interconnection Technology (AIDA)
---------	--

Product properties

Type	Version 14
Product type	Panel mounting frame
Number of positions	8
Connection profile	RJ45
Application	Freenet
Type	RJ45

Insulation characteristics

Degree of pollution	2
---------------------	---

Electrical properties

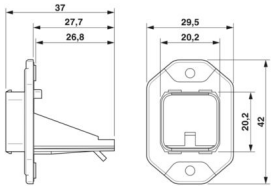
Transmission medium	Copper
---------------------	--------

Connection data

Connection technology

Connection method	Spring-cage connection
-------------------	------------------------

Dimensions

Dimensional drawing	
Width	29.5 mm
Height	42 mm
Length	37 mm

Material specifications

Color	black
Material	Plastic
Flammability rating according to UL 94	V0
Seal material	NBR
Seal material, flat gasket	NBR

VS-PPC-F1-RJ45-POBK-1R-F - Panel mounting frames



1608197

<https://www.phoenixcontact.com/us/products/1608197>

Housing surface material	PA, light gray
Contact surface material	Au/Ni
Contact carrier material	Polyester GF
Housing material	Plastic

Mechanical properties

Mechanical data

Insertion/withdrawal cycles	≥ 500
-----------------------------	-------

Environmental and real-life conditions

Ambient conditions

Degree of protection	IP65/IP67
Ambient temperature (operation)	-40 °C ... 70 °C

Mounting

Mounting type	Front mounting
---------------	----------------

VS-PPC-F1-RJ45-POBK-1R-F - Panel mounting frames



1608197

<https://www.phoenixcontact.com/us/products/1608197>

Classifications

ECLASS

ECLASS-11.0	27440210
ECLASS-12.0	27440210
ECLASS-13.0	27440210

ETIM

ETIM 9.0	EC002310
----------	----------

UNSPSC

UNSPSC 21.0	39121400
-------------	----------

VS-PPC-F1-RJ45-POBK-1R-F - Panel mounting frames



1608197

<https://www.phoenixcontact.com/us/products/1608197>

Environmental product compliance

China RoHS	Environmentally friendly use period: unlimited = EFUP-e
	No hazardous substances above threshold values

Phoenix Contact 2024 © - all rights reserved
<https://www.phoenixcontact.com>

Phoenix Contact USA
586 Fulling Mill Road
Middletown, PA 17057, United States
(+717) 944-1300
info@phoenixcon.com