

VC-AR3/4M-PEA - Panel mounting frames



1607787

<https://www.phoenixcontact.com/us/products/1607787>

Please be informed that the data shown in this PDF document is generated from our online catalog. Please find the complete data in the user documentation. Our general terms of use for downloads are valid.

Panel mounting frames, Range of articles: VARIOCON, design: VC3, housing material: Polyamide. Required for supporting base elements and voltages > 42 V



Commercial data

Item number	1607787
Packing unit	1 pc
Minimum order quantity	1 pc
Sales key	AB01
Product key	ABLABC
Catalog page	Page 30 (C-2-2013)
GTIN	4017918948900
Weight per piece (including packing)	30 g
Weight per piece (excluding packing)	30 g
Customs tariff number	85389099
Country of origin	PL

Technical data

Notes

General	Required for supporting base elements and voltages > 42 V
Safety note	<p data-bbox="849 618 1452 703">WARNING: The connectors may not be plugged in or disconnected under load. Ignoring the warning or improper use may damage persons and/or property.</p> <ul style="list-style-type: none"> <li data-bbox="849 716 1433 824">• WARNING: Commission properly functioning products only. The products must be regularly inspected for damage. Decommission defective products immediately. Replace damaged products. Repairs are not possible. <li data-bbox="849 842 1468 1034">• WARNING: Only electrically qualified personnel may install and operate the product. They must observe the following safety notes. The qualified personnel must be familiar with the basics of electrical engineering. They must be able to recognize and prevent danger. The relevant symbol on the packaging indicates that only personnel familiar with electrical engineering are allowed to install and operate the product. <li data-bbox="849 1052 1439 1106">• The products are suitable for applications in plant, controller, and electrical device engineering. <li data-bbox="849 1124 1452 1178">• When operating the connectors in outdoor applications, they must be separately protected against environmental influences. <li data-bbox="849 1196 1426 1249">• Assembled products may not be manipulated or improperly opened. <li data-bbox="849 1267 1449 1344">• Only use mating connectors that are specified in the technical data of the standards listed (e.g. the ones listed in the product accessories online at phoenixcontact.com/products). <li data-bbox="849 1361 1430 1415">• When using the product in direct connection with third-party manufacturers, the user is responsible. <li data-bbox="849 1433 1398 1487">• For operating voltages > 50 V AC, conductive connector housings must be grounded <li data-bbox="849 1505 1398 1559">• Ensure that the protective or functional ground has been properly connected. <li data-bbox="849 1576 1461 1653">• VDE 0100/1.97 § 411.1.3.2 and DIN EN 60 204/11.98 § 14.1.3 are applicable when combining several circuits in a cable and/or connector <li data-bbox="849 1671 1417 1832">• Observe the corresponding technical data. You will find information: <ul style="list-style-type: none"> <li data-bbox="849 1720 1011 1747">o On the product <li data-bbox="849 1751 1062 1778">o On the packing label <li data-bbox="849 1783 1155 1809">o In the supplied documentation <li data-bbox="849 1814 1417 1841">o Online at phoenixcontact.com/products under the product <li data-bbox="849 1850 1337 1877">• Only use tools recommended by Phoenix Contact <li data-bbox="849 1886 1404 1962">• The installation notes/Design In documents online on the download page at phoenixcontact.com/products must be observed for this product. <li data-bbox="849 1980 1449 2065">• Use a protective cap to protect connectors that are not in use. The suitable accessories are available online in the accessory section of the product at phoenixcontact.com/products <li data-bbox="849 2083 1372 2110">• Operate the connector only when it is fully plugged in.

VC-AR3/4M-PEA - Panel mounting frames

1607787

<https://www.phoenixcontact.com/us/products/1607787>

	<ul style="list-style-type: none">• Ensure that when laying the cable, the tensile load on the connectors does not exceed the upper limit specified in the standards.
	<ul style="list-style-type: none">• Observe the minimum bending radius of the cable. Lay the cable without twisting it.
	<ul style="list-style-type: none">• The connector warms up in normal operation. Depending on the ambient conditions, the surface of the connector can continue to warm up. In this case, the user is responsible for posting warnings (e.g. DIN EN ISO 13732-1:2008-12).

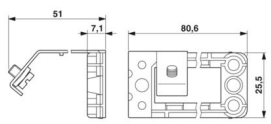
Product properties

Type	VC3
Product type	Panel mounting frame
Product family	VARIOCON
Number of module slots	4
Series	VC-M

Electrical properties

Contact resistance, inner conductor	≤
-------------------------------------	---

Dimensions

Dimensional drawing	
Width	80.6 mm
Height	25.5 mm
Depth	7.1 mm
Length	56.2 mm

Material specifications

Color of the housing part	black
Material	PA-GF
Material	Polyamide
Flammability rating according to UL 94	V0
Contact material	CuZn
Contact surface material	nickel-plated
Housing material	Polyamide

Environmental and real-life conditions

Ambient conditions

Ambient temperature (operation)	-40 °C ... 125 °C
---------------------------------	-------------------

VC-AR3/4M-PEA - Panel mounting frames



1607787

<https://www.phoenixcontact.com/us/products/1607787>

Classifications

ECLASS

ECLASS-11.0	27440210
ECLASS-12.0	27440210
ECLASS-13.0	27440210

ETIM

ETIM 9.0	EC002310
----------	----------

UNSPSC

UNSPSC 21.0	39121400
-------------	----------

VC-AR3/4M-PEA - Panel mounting frames



1607787

<https://www.phoenixcontact.com/us/products/1607787>

Environmental product compliance

China RoHS	Environmentally friendly use period: unlimited = EFUP-e No hazardous substances above threshold values
------------	---

Phoenix Contact 2024 © - all rights reserved
<https://www.phoenixcontact.com>

Phoenix Contact USA
586 Fulling Mill Road
Middletown, PA 17057, United States
(+717) 944-1300
info@phoenixcon.com