

# HC-B 24-TMB-100/O1STM40S-EMV - EMC housing



1604609

<https://www.phoenixcontact.com/us/products/1604609>

Please be informed that the data shown in this PDF document is generated from our online catalog. Please find the complete data in the user documentation. Our general terms of use for downloads are valid.



HEAVYCON ADVANCE EMV sleeve housing B24, with bayonet locking, height 100 mm, with 1xM40 thread, lateral cable outlet

## Commercial data

Item number	1604609
Packing unit	10 pc
Minimum order quantity	10 pc
Sales key	BF58
Product key	BF7AAA
Catalog page	Page 479 (PC-2009)
GTIN	4017918948283
Weight per piece (including packing)	456 g
Weight per piece (excluding packing)	456 g
Customs tariff number	85389099
Country of origin	DE

# HC-B 24-TMB-100/O1STM40S-EMV - EMC housing



1604609

<https://www.phoenixcontact.com/us/products/1604609>

## Technical data

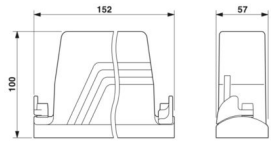
### Notes

General	for contact inserts HC-B24, BB46, D64, DD108, HV10/16, M
---------	--

### Product properties

Type	B24
Product type	Housing with bayonet locking
Application	EMC
No. of cable outlets	1
Type of the screw connection	1x M40
Housing type	Sleeve housing
Cable outlet	lateral
Pg screw connection	none

### Dimensions

Dimensional drawing	
Width	57 mm
Height	100 mm
Length	152 mm

### Installation dimensions

Width of the assembly cutout	35 mm
Length of the assembly cutout	112 mm

### Material specifications

Seal material	NBR, conductive
Housing surface material	Powder coating
Locking latch material	High-grade steel, handle: PA-GF
Housing material	die-cast aluminum

### Environmental and real-life conditions

#### Ambient conditions

Degree of protection	IP65
	IP67
Ambient temperature (operation)	-40 °C ... 125 °C

### Mechanical properties

#### Mechanical data

1604609

<https://www.phoenixcontact.com/us/products/1604609>

Type of the screw connection	1x M40
Locking type	Screw

## Mounting

Assembly instructions	In order to guarantee that the protective conductor contact functions even when plugged in at an angle, the two panel-mount flanges must have sufficient electrical contact with the metal mounting panel.
	If insulating powder coating is present on the control cabinet panel, it should be removed from the profile gasket area in order to ensure optimum shielding.

1604609

<https://www.phoenixcontact.com/us/products/1604609>

## Classifications

### ECLASS

ECLASS-11.0	27440202
ECLASS-12.0	27440202
ECLASS-13.0	27440202

### ETIM

ETIM 9.0	EC000437
----------	----------

### UNSPSC

UNSPSC 21.0	31261500
-------------	----------

# HC-B 24-TMB-100/O1STM40S-EMV - EMC housing



1604609

<https://www.phoenixcontact.com/us/products/1604609>

## Environmental product compliance

China RoHS	Environmentally friendly use period: unlimited = EFUP-e
	No hazardous substances above threshold values

Phoenix Contact 2024 © - all rights reserved  
<https://www.phoenixcontact.com>

Phoenix Contact USA  
586 Fulling Mill Road  
Middletown, PA 17057, United States  
(+717) 944-1300  
[info@phoenixcon.com](mailto:info@phoenixcon.com)