

HC-HS 2-D7-ESTS - Contact insert



1586277

<https://www.phoenixcontact.com/us/products/1586277>

Please be informed that the data shown in this PDF document is generated from our online catalog. Please find the complete data in the user documentation. Our general terms of use for downloads are valid.



Contact insert, number of positions: 2+PE, size: D7, power contacts: 2, Pin, Axial screw connection, 400 V, 40 A, 4 mm² ... 10 mm², application: Power

Commercial data

Item number	1586277
Packing unit	10 pc
Minimum order quantity	10 pc
Sales key	BF61
Product key	BF7ABJ
Catalog page	Page 511 (C-2-2019)
GTIN	4046356410229
Weight per piece (including packing)	23.6 g
Weight per piece (excluding packing)	23.6 g
Customs tariff number	85366990
Country of origin	DE

HC-HS 2-D7-ESTS - Contact insert



1586277

<https://www.phoenixcontact.com/us/products/1586277>

Technical data

Notes

General	for HC-D7 housing, axial connection 2.0 mm, Allen key
General	Connectors may be operated only when there is no load/voltage.
General	The axial screw connection must be established using a 2 mm Allen key (for stranded conductors only)

Mounting

Assembly instructions	To ensure correct use, installation in housing with IP54 protection or better is required
	Note regarding axial connection technology: Only for stranded wires. The specified conductor cross sections refer to the geometric cross section of the cable used. Cables with a geometric cross section which deviates significantly from the nominal cable cross section must be checked before use. The axial connection technology connection space is designed for fine strand cables according to VDE 0295 Class 5. Deviating cable structures (e.g., Class 6 cables) must be checked before use.
	Assembly instructions Before assembly, ensure that the tapered screw is fully loosened (chamber is open). Cables must not be twisted. The wires must be pushed into the contact chamber as far as they will go (until the insulation touches the contact). Hold the wires in position and tighten using an Allen key. The used wire end must be cut off before reconnection. The terminal screw must only be retightened once to prevent the litz wires from breaking. To prevent damage to the contact, the wire/cable must be mechanically held at an appropriate distance from the connection point (e.g., when used in a plate cut out). For notes on correct execution, see DIN VDE 0100-520:2003-06. Unused connections must be tightened with maximum torque.
Hexagonal socket	SW2,0

Product properties

Type	D7
Product type	Contact insert with a fixed no. of positions
Number of positions	2
Connection profile	2+PE
Contact numbering	1 - 2
Application	Power
No. of power contacts	2
Contact material type	turned
Series	HC-HS

Insulation characteristics

Overvoltage category	III
----------------------	-----

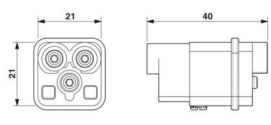
HC-HS 2-D7-ESTS - Contact insert

1586277

<https://www.phoenixcontact.com/us/products/1586277>

Degree of pollution	3
---------------------	---

Dimensions

Dimensional drawing	
Width	21 mm
Height	40 mm
Length	21 mm

Mechanical characteristics

Contact diameter	4 mm
------------------	------

Connection data

Connection technology

Connection technology	Axial screw connection
Connection in acc. with standard	IEC / EN

Conductor connection

Conductor cross section	4 mm ² ... 10 mm ² (The cross section specification refers to the geometric cross section of the cable used)
Connection cross section AWG	10 ... 8
Tightening torque	0.5 Nm ... 0.8 Nm (Mounting screws for mounting in the HEAVYCON housing) 1.8 Nm
Stripping length of the individual wire	8 mm +1 mm

Electrical properties

Rated voltage (III/3)	400 V
Rated surge voltage	6 kV
Rated current	40 A

Mechanical properties

Mechanical data

Insertion/withdrawal cycles	≥ 500
-----------------------------	-------

Material specifications

Flammability rating according to UL 94	V0
Seal material	NBR
Contact material	Copper alloy
Contact surface material	Ag
Contact carrier material	PC

Environmental and real-life conditions

HC-HS 2-D7-ESTS - Contact insert



1586277

<https://www.phoenixcontact.com/us/products/1586277>

Ambient conditions

Ambient temperature (operation)	-40 °C ... 125 °C (including heating up of contacts)
---------------------------------	--

Standards and regulations

Constructional and testing regulations	DIN VDE 0627/86
	DIN VDE 0110/02.79
	DIN VDE 0110-1/04.97
	IEC 60664-1, DIN IEC 60512
	IEC 60352
Tests	DIN VDE 0627/86
	DIN VDE 0110/02.79
	DIN VDE 0110-1/04.97
	IEC 60664-1, DIN IEC 60512
	IEC 60352

HC-HS 2-D7-ESTS - Contact insert



1586277

<https://www.phoenixcontact.com/us/products/1586277>

Classifications

ECLASS

ECLASS-11.0	27440205
ECLASS-12.0	27440205
ECLASS-13.0	27440205

ETIM

ETIM 9.0	EC000438
----------	----------

UNSPSC

UNSPSC 21.0	39121500
-------------	----------

HC-HS 2-D7-ESTS - Contact insert



1586277

<https://www.phoenixcontact.com/us/products/1586277>

Environmental product compliance

REACH SVHC	Lead 7439-92-1
China RoHS	Environmentally Friendly Use Period = 50 years
	For information on hazardous substances, refer to the manufacturer's declaration available under "Downloads"

Phoenix Contact 2024 © - all rights reserved

<https://www.phoenixcontact.com>

Phoenix Contact USA
586 Fulling Mill Road
Middletown, PA 17057, United States
(+717) 944-1300
info@phoenixcon.com