

# SAC-3P-M12MS-M 8SIFS - Adapter

1519781

<https://www.phoenixcontact.com/us/products/1519781>

Please be informed that the data shown in this PDF document is generated from our online catalog. Please find the complete data in the user documentation. Our general terms of use for downloads are valid.

Adapter, 3-position, Plug straight M12, coding: A, on Socket straight M8 Snap-in, coding: A



## Commercial data

Item number	1519781
Packing unit	5 pc
Minimum order quantity	5 pc
Sales key	BF10
Product key	BF1GBA
Catalog page	Page 254 (C-2-2019)
GTIN	4046356019972
Weight per piece (including packing)	12.23 g
Weight per piece (excluding packing)	8.43 g
Customs tariff number	85366990
Country of origin	DE

# SAC-3P-M12MS-M 8SIFS - Adapter

1519781

<https://www.phoenixcontact.com/us/products/1519781>

## Technical data

### Product properties

Product type	M8/M12 adapters
Number of positions	3
No. of cable outlets	1
Coding	A

### Insulation characteristics

Overvoltage category	II
Degree of pollution	3

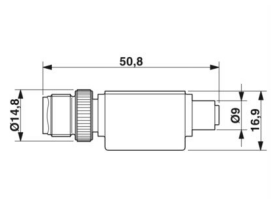
### Electrical properties

Insulation resistance	$\geq 100 \text{ M}\Omega$
Nominal voltage $U_N$	48 V AC
	60 V DC
Nominal current $I_N$	4 A

### Signaling

Status display	No
Status display present	No

### Dimensions

Dimensional drawing	
Width	17 mm
Height	14.8 mm
Length	50.8 mm

### Material specifications

Flammability rating according to UL 94	HB
Seal material	NBR
Material of grip body	TPU, hardly inflammable, self-extinguishing
Contact material	CuSn
Contact surface material	Ni/Au
Contact carrier material	TPU GF
Material for screw connection	Zinc die-cast, nickel-plated

### Connector

# SAC-3P-M12MS-M 8SIFS - Adapter



1519781

<https://www.phoenixcontact.com/us/products/1519781>

## Connection 1

Type	Plug straight M12
Number of positions	3
Coding type	A

## Connection 2

Type	Socket straight M8 Snap-in
Number of positions	3
Locking type	Snap-in
Coding type	A

## Mechanical properties

### Mechanical data

Insertion/withdrawal cycles	≥ 100
-----------------------------	-------

## Environmental and real-life conditions

### Ambient conditions

Degree of protection	IP65
	IP67
Ambient temperature (operation)	-25 °C ... 90 °C

## Standards and regulations

Standard designation	M12 connector
Standards/specifications	IEC 61076-2-101
Standard designation	M8 connector
Standards/specifications	IEC 61076-2-104

# SAC-3P-M12MS-M 8SIFS - Adapter



1519781

<https://www.phoenixcontact.com/us/products/1519781>

## Classifications

### ECLASS

ECLASS-11.0	27440106
ECLASS-12.0	27440106
ECLASS-13.0	27440106

### ETIM

ETIM 9.0	EC002925
----------	----------

### UNSPSC

UNSPSC 21.0	31251500
-------------	----------

# SAC-3P-M12MS-M 8SIFS - Adapter



1519781

<https://www.phoenixcontact.com/us/products/1519781>

## Environmental product compliance

China RoHS	Environmentally friendly use period: unlimited = EFUP-e
	No hazardous substances above threshold values

Phoenix Contact 2024 © - all rights reserved  
<https://www.phoenixcontact.com>

Phoenix Contact USA  
586 Fulling Mill Road  
Middletown, PA 17057, United States  
(+717) 944-1300  
[info@phoenixcon.com](mailto:info@phoenixcon.com)