

SACB-4/ 4-L- 5,0PUR SCO - Distributor box



1517084

<https://www.phoenixcontact.com/us/products/1517084>

Please be informed that the data shown in this PDF document is generated from our online catalog. Please find the complete data in the user documentation. Our general terms of use for downloads are valid.



Distributor box, application: Standard, connection method: M12-SPEEDCON-socket Metal, number of slots: 4, number of positions: 4, coding: A, slot assignment: single, status display: Yes, pnp; master cable connection: Fixed connection 180°, PUR/PVC, cable length: 5 m, shielding: no

Your advantages

- Safety in the field, thanks to molded housing and high degree of protection
- Convenient: increased machine availability thanks to quick and easy diagnostics
- Save time, thanks to installation with SPEEDCON fast locking system

Commercial data

Item number	1517084
Packing unit	1 pc
Minimum order quantity	1 pc
Sales key	BF42
Product key	BF3CCA
Catalog page	Page 264 (C-2-2019)
GTIN	4017918967758
Weight per piece (including packing)	650.4 g
Weight per piece (excluding packing)	612.6 g
Customs tariff number	85444290
Country of origin	DE

SACB-4/ 4-L- 5,0PUR SCO - Distributor box



1517084

<https://www.phoenixcontact.com/us/products/1517084>

Technical data

Notes

General	NOTE: Observe the permissible bending radii when laying conductors, since the degree of protection may be put in jeopardy if the bending forces are too high. Alleviate mechanical loads upstream of the connector, e.g. by using cable ties.
General	Unused slots are to be sealed off prior to commissioning. Suitable sealing elements are to be found under "Accessories".

Product properties

Product type	Distributor box
Number of positions	4
Application	Standard
Number of slots	4
Coding	A
LED	yes

System properties

Local diagnostics

Monitored function	Supply voltage
Optical representation	Green LED

Electrical properties

Max. operating voltage U_{max}	30 V DC
Local diagnostics	Supply voltage Green LED
	Status display I/O Yellow LED
Nominal voltage U_N	24 V DC
Rated current, total	12 A
Max. current carrying capacity per path	2 A
Current carrying capacity per slot	4 A

Connection data

Conductor connection

Sensor/actuator connection system	M12-SPEEDCON-socket
Tightening torque slot sensor/actuator cable	0.4 Nm
Tightening torque of mounting screw for fixing the housing	0.5 Nm

Pin assignment

Slot/position = Wire color or connection	1 / 4 (A) = WH
	2 / 4 (A) = GN
	3 / 4 (A) = YE
	4 / 4 (A) = GY
	1-4 / 1 (+ 24 V) = BN

SACB-4/ 4-L- 5,0PUR SCO - Distributor box



1517084

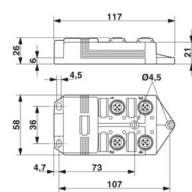
<https://www.phoenixcontact.com/us/products/1517084>

	1-4 / 3 (0 V) = BU
	1-4 / 5 (PE) = GNYE

Signaling

Status display present	Yes
------------------------	-----

Dimensions

Dimensional drawing	
Width	58 mm
Height	26 mm
Length	117 mm

Material specifications

Material Threaded sleeve	Die-cast zinc
Material Housing	PBT
Material Molding compound	PUR
Flammability rating according to UL 94	V0
Seal material O-ring	NBR
Contact material	Cu alloy
Contact surface material	gold-plated
Contact carrier material	PA

Cable/line

Cable length	5 m
--------------	-----

PUR/PVC black [PUR]

Dimensional drawing	
Cable weight	77.9 kg/km
UL AWM Style	20549
Number of positions	7
Shielded	no
Cable type	PUR/PVC black [PUR]

SACB-4/ 4-L- 5,0PUR SCO - Distributor box



1517084

<https://www.phoenixcontact.com/us/products/1517084>

Conductor structure signal line	19x 0.15 mm
AWG signal line	22
Conductor cross section	4x 0.34 mm ² (Signal line)
	3x 0.75 mm ² (power line)
Wire diameter incl. insulation	1.3 mm ±0.1 mm (Signal line)
	1.8 mm ±0.1 mm (power line)
External cable diameter	6.90 mm ±0.2 mm
Outer sheath, material	PUR
External sheath, color	black RAL 9005
Conductor material	Bare Cu litz wires
Material wire insulation	PVC
Single wire, color	brown, blue, green/yellow, white, green, yellow, gray
Inner sheath thickness	≥ 0.15 mm
Thickness, outer sheath	≥ 0.38 mm
Overall twist	Wires twisted in layers
Nominal voltage, cable	300 V
Test voltage	2000 V
Minimum bending radius, fixed installation	7.5 x D
Minimum bending radius, flexible installation	10 x D
Smallest bending radius, fixed installation	52 mm
Smallest bending radius, movable installation	69 mm
Max. bending cycles	1500000
Flame resistance	DIN EN 50265
Resistance to oil	according to VDE 0472 Part 803
Other resistance	Highly resistant to acids, alkaline solutions and solvents
Special properties	Silicone-free
Ambient temperature (operation)	-40 °C ... 90 °C (cable, fixed installation)
	-5 °C ... 80 °C (Cable, flexible installation)
	80 °C (in acc. with UL)

Environmental and real-life conditions

Ambient conditions

Degree of protection	IP65
	IP67
	IP69K
Ambient temperature (operation)	-30 °C ... 90 °C

Standards and regulations

Standard designation	M12 connector
Standards/specifications	IEC 61076-2-101

SACB-4/ 4-L- 5,0PUR SCO - Distributor box



1517084

<https://www.phoenixcontact.com/us/products/1517084>

Classifications

ECLASS

ECLASS-11.0	27440108
ECLASS-12.0	27440108
ECLASS-13.0	27440108

ETIM

ETIM 9.0	EC002585
----------	----------

UNSPSC

UNSPSC 21.0	31251500
-------------	----------

SACB-4/ 4-L- 5,0PUR SCO - Distributor box



1517084

<https://www.phoenixcontact.com/us/products/1517084>

Environmental product compliance

China RoHS	Environmentally friendly use period: unlimited = EFUP-e No hazardous substances above threshold values
------------	---

Phoenix Contact 2024 © - all rights reserved
<https://www.phoenixcontact.com>

Phoenix Contact USA
586 Fulling Mill Road
Middletown, PA 17057, United States
(+717) 944-1300
info@phoenixcon.com