

HC-B 10-TMB-100/O1STM25G-EEE - Housing



1460365

<https://www.phoenixcontact.com/us/products/1460365>

Please be informed that the data shown in this PDF document is generated from our online catalog. Please find the complete data in the user documentation. Our general terms of use for downloads are valid.



HEAVYCON ADVANCE B10 sleeve housing, with bayonet locking (Allen screw), salt water resistant aluminum, height: 100 mm, with 1 x M25 thread, straight cable outlet, without surface; conductive seal (EMC properties)

Commercial data

Item number	1460365
Packing unit	10 pc
Minimum order quantity	10 pc
Sales key	BF58
Product key	BF7AAA
Catalog page	Page 568 (PC-2011)
GTIN	4046356592642
Weight per piece (including packing)	346.05 g
Weight per piece (excluding packing)	346.05 g
Customs tariff number	85389099
Country of origin	DE

HC-B 10-TMB-100/O1STM25G-EEE - Housing



1460365

<https://www.phoenixcontact.com/us/products/1460365>

Technical data

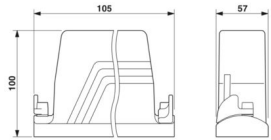
Notes

General	For contact inserts HC-B10, BB18, DD42, M, K8/24
---------	--

Product properties

Type	B10
Product type	Housing with bayonet locking
Application	Offshore/EMC
No. of cable outlets	1
Type of the screw connection	1x M25
Fixing screws	M6
Housing type	Sleeve housing
Shielded	yes
Cable outlet	straight
Pg screw connection	none

Dimensions

Dimensional drawing	
Width	57 mm
Height	100 mm
Length	105 mm

Material specifications

Seal material	NBR, conductive
Housing surface material	uncoated
Locking latch material	Stainless steel
Housing material	Die-cast aluminum, salt water resistant

Environmental and real-life conditions

Ambient conditions

Degree of protection	IP66
	IP67
Ambient temperature (operation)	-40 °C ... 125 °C

Mechanical properties

Mechanical data

Type of the screw connection	1x M25
Locking type	Screw

HC-B 10-TMB-100/O1STM25G-EEE - Housing



1460365

<https://www.phoenixcontact.com/us/products/1460365>

Mounting

Assembly instructions	If insulating powder coating is present on the control cabinet panel, it should be removed from the profile gasket area in order to ensure optimum shielding.
Fixing screws	M6

HC-B 10-TMB-100/O1STM25G-EEE - Housing



1460365

<https://www.phoenixcontact.com/us/products/1460365>

Classifications

ECLASS

ECLASS-11.0	27440202
ECLASS-12.0	27440202
ECLASS-13.0	27440202

ETIM

ETIM 9.0	EC000437
----------	----------

UNSPSC

UNSPSC 21.0	31261500
-------------	----------

HC-B 10-TMB-100/O1STM25G-EEE - Housing



1460365

<https://www.phoenixcontact.com/us/products/1460365>

Environmental product compliance

China RoHS	Environmentally friendly use period: unlimited = EFUP-e
	No hazardous substances above threshold values

Phoenix Contact 2024 © - all rights reserved
<https://www.phoenixcontact.com>

Phoenix Contact USA
586 Fulling Mill Road
Middletown, PA 17057, United States
(+717) 944-1300
info@phoenixcon.com